

FEATURED MODEL

511-642 Anthracite, 9-1/2" & 8" bowl depths

ADDITIONAL MODELS

511-640 Biscuit, 9-1/2" & 8" bowl depths

511-641 White, 9-1/2" & 8" bowl depths

511-643 Metallic Gray, 9-1/2" & 8" bowl depths

511-644 Café Brown, 9-1/2" & 8" bowl depths

FEATURES

- Flat sink deck allows for both drop-in or undermount installation
- 80% rock hard granite
- Color all the way through
- Highly resistant to scratching, staining and all household acids and alkali solutions
- Non-porous, easy-to-clean
- Heat resistant to 536° F
- Extremely hygienic, does not absorb odors or bacteria

CODE/STANDARDS COMPLIANCE

ANSI Z124.6-97

IAPMO/UPC listed

OPTIONAL ACCESSORIES

Sink Grid: 221-011 (Formerly 511-935)

Cutting Board: 511-135

Colander: 215-651

WARRANTY

Blanco America's SILGRANIT® Series sinks feature a LIMITED LIFETIME WARRANTY to be free of all manufacturing defects under normal use. See our complete warranty for details.

While Blanco America endeavors to provide accurate information, all dimensions are nominal, cannot be guaranteed, and are subject to change or cancellation. Blanco America assumes no responsibility for use of superseded or voided specifications.

PRODUCT SPECIFICATION

Drop-In/Undermount sink to be 1-1/2 bowl design, 33" in length and 22" in front-to-back depth. Sink to be made from Silgranit® hard composite material. Sink to feature rear drain placement and straight bowl sides with 5/8" cutout corner radius. Sink to be Blanco (Check one)

- Model 511-640 Model 511-641
 Model 511-642 Model 511-643
 Model 511-644

with large bowl depth of 9-1/2" and small bowl depth of 8". Additional knockout hole locations:

- Biscuit 511-640
 White 511-641
 Anthracite 511-642
 Metallic Grey 511-643
 Café Brown 511-644

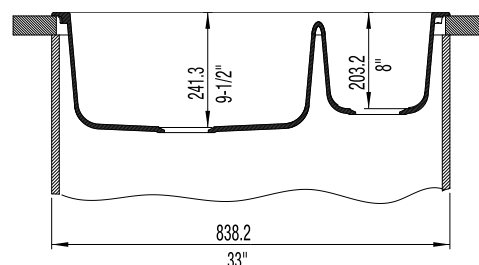
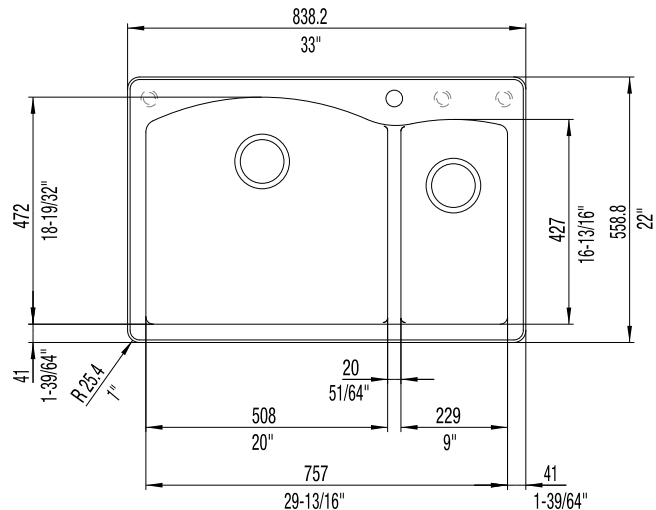


MODEL 511-642 Shown

NOMINAL DIMENSIONS

OVERALL	CUTOUT SIZE	BOWL DEPTH		DRAIN DIAMETER
		LEFT	RIGHT	
33 x 22	32-1/4 x 21-1/4	9-1/2	8	3-1/2

DXF cutout templates (Undermount and Drop-In versions) available on our web site.



JOB INFORMATION

Job Name: _____

Contact: _____

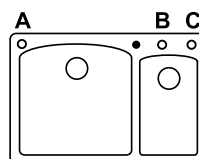
Date Specified: _____

Specifier: _____

Contractor: _____

KNOCKOUT HOLE LOCATIONS

Pre-drilled for single-hole faucet.



BLANCO AMERICA
800.451.5782
www.blancoamerica.com