

FEATURED MODEL

511-601 White, 9-1/2" & 9-1/2" bowl depths

ADDITIONAL MODELS

- 511-600 Biscuit, 9-1/2" & 9-1/2" bowl depths
- 511-602 Anthracite, 9-1/2" & 9-1/2" bowl depths
- 511-603 Metallic Gray, 9-1/2" & 9-1/2" bowl depths
- 511-604 Café Brown, 9-1/2" & 9-1/2" bowl depths

FEATURES

- Flat sink deck allows for both drop-in or undermount installation
- 80% rock hard granite
- Color all the way through
- Highly resistant to scratching, staining and all household acids and alkali solutions
- Non-porous, easy-to-clean
- Heat resistant to 536° F
- Extremely hygienic, does not absorb odors or bacteria

CODE/STANDARDS COMPLIANCE

ANSI Z124.6-97
IAPMO/UPC listed

OPTIONAL ACCESSORIES

- Sink Grids: 221-008 (Formerly 511-933L)
221-009 (Formerly 511-933R)
- Colander: 215-651
- Cutting Board: 511-132

WARRANTY

Blanco America's SILGRANIT® Series sinks feature a LIMITED LIFETIME WARRANTY to be free of all manufacturing defects under normal use. See our complete warranty for details.

While Blanco America endeavors to provide accurate information, all dimensions are nominal, cannot be guaranteed, and are subject to change or cancellation. Blanco America assumes no responsibility for use of superseded or voided specifications.

PRODUCT SPECIFICATION

Drop-In/Undermount sink to be equal double bowl design, 33" in length and 22" in front-to-back depth. Sink to be made from Silgranit® hard composite material. Sink to feature rear drain placement and straight bowl sides with 5/8" cutout corner radius. Sink to be Blanco (Check one)

- Model 511-600 Model 511-601
- Model 511-602 Model 511-603
- Model 511-604

with left bowl depth of 9-1/2" and right bowl depth of 9-1/2". Additional knockout hole locations:_____.

- Biscuit 511-600
- White 511-601
- Anthracite 511-602
- Metallic Gray 511-603
- Café Brown 511-604

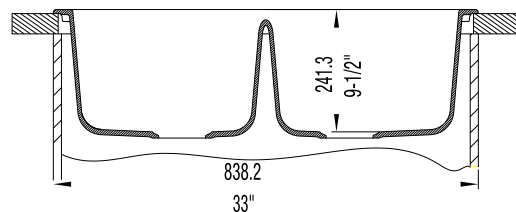
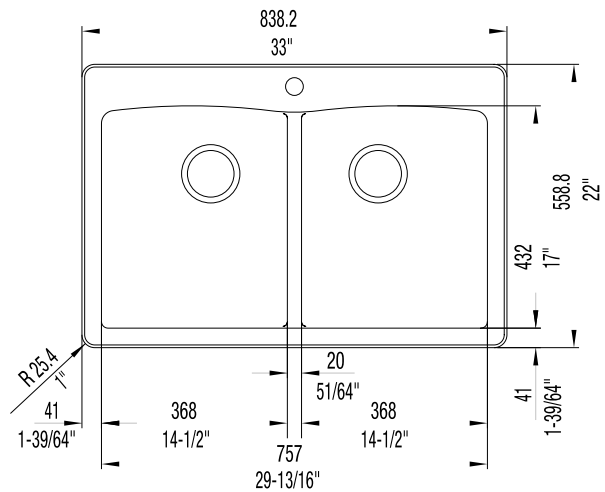


MODEL 511-601 Shown

NOMINAL DIMENSIONS

OVERALL	CUTOUT SIZE	BOWL DEPTH LEFT	BOWL DEPTH RIGHT	DRAIN DIAMETER
33 x 22	32-1/4 x 21-1/4	9-1/2	9-1/2	3-1/2

DXF cutout templates (Undermount and Drop-In version) available on our web site.

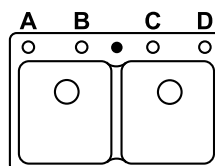


JOB INFORMATION

Job Name: _____
 Contact: _____
 Date Specified: _____
 Specifier: _____
 Contractor: _____

KNOCKOUT HOLE LOCATIONS

Pre-drilled for single-hole faucet.



BLANCO AMERICA
 800.451.5782
www.blancoamerica.com