



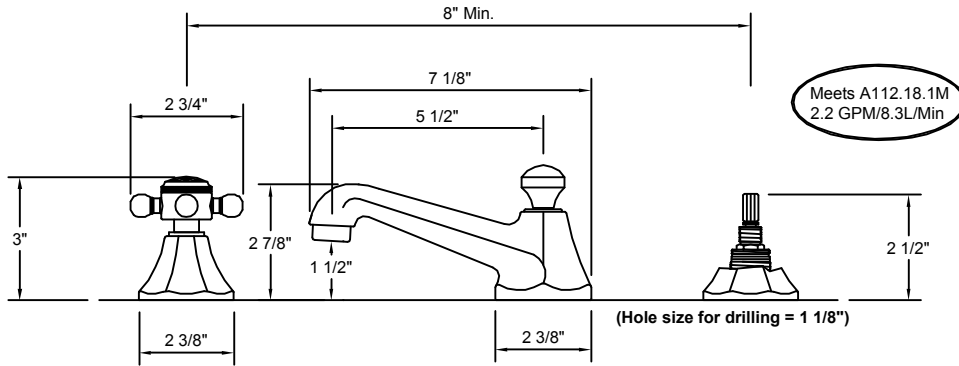
Tel: 714-891-7797  
 Fax: 714-891-2478  
 Toll Free: 800-822-8855  
 www.calfaucets.com

# 47 Series Specifications

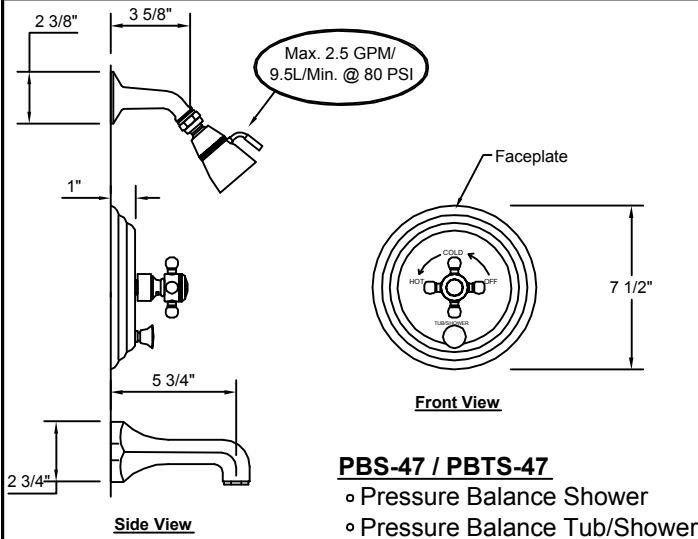
## "VENICE"



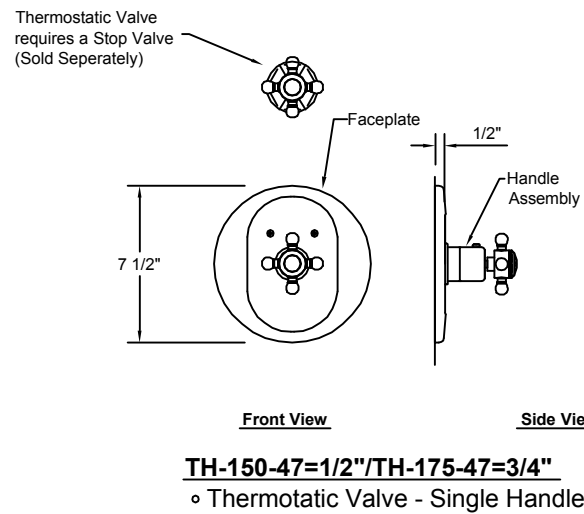
All California Faucets lever and blade handle products are American Disability Act (ADA) compliant.



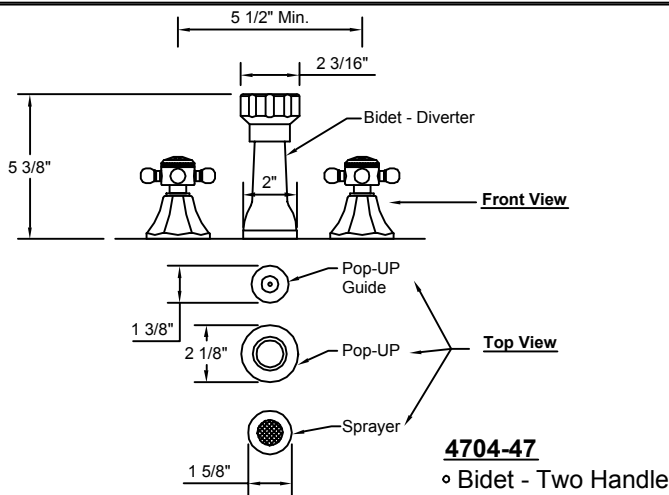
**4702**  
 ◦ Wide Spread



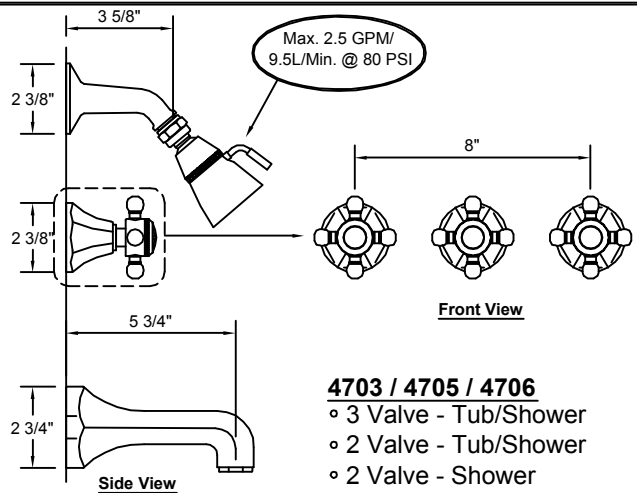
**PBS-47 / PBTS-47**  
 ◦ Pressure Balance Shower  
 ◦ Pressure Balance Tub/Shower



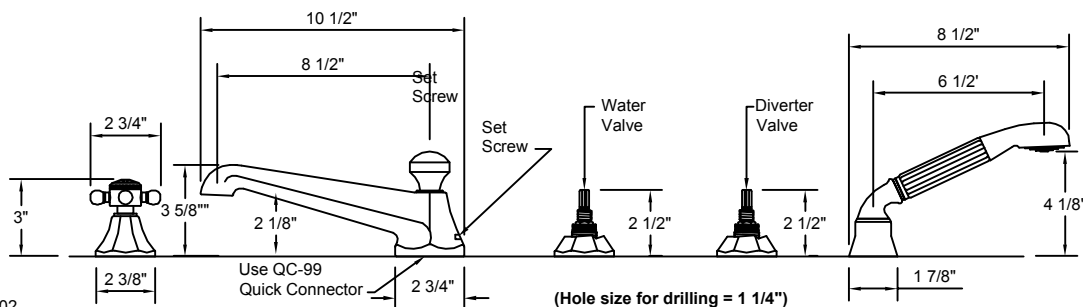
**TH-150-47=1/2"/TH-175-47=3/4"**  
 ◦ Thermostatic Valve - Single Handle Shower



**4704-47**  
 ◦ Bidet - Two Handle



**4703 / 4705 / 4706**  
 ◦ 3 Valve - Tub/Shower  
 ◦ 2 Valve - Tub/Shower  
 ◦ 2 Valve - Shower



**4708 w/ 47.1**  
 ◦ Roman - w/ Optional Hand Held Shower