

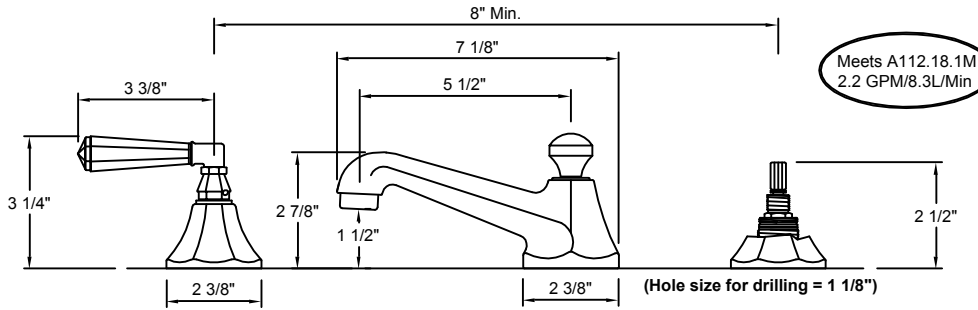
# 46 Series Specifications

## "MONTEREY"

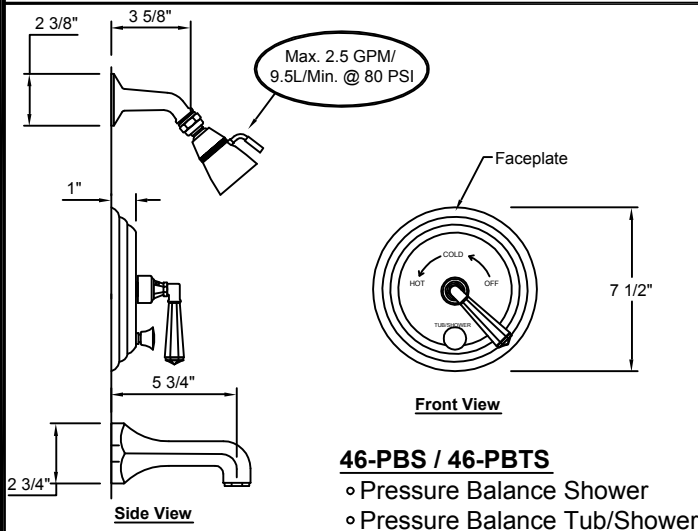


All California Faucets lever and blade handle products are American Disability Act (ADA) compliant.

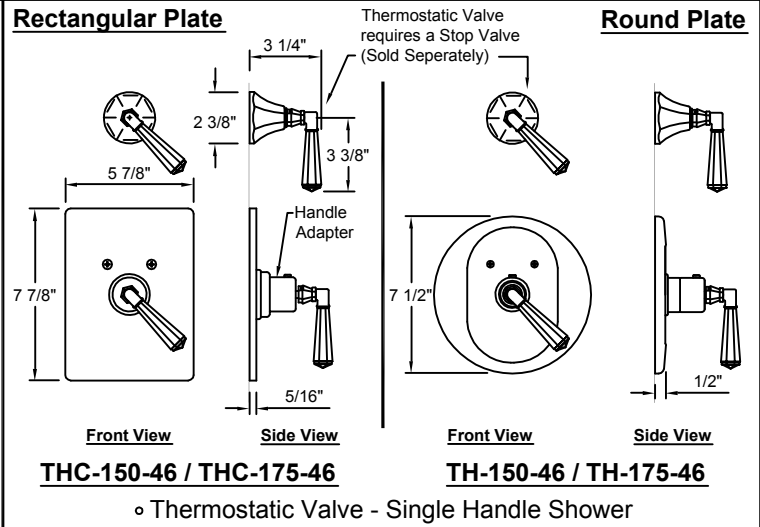
California Faucets reserves the right to make modification and specification changes at any time. Please verify dimensions prior to installation. Visit [www.calfaucets.com](http://www.calfaucets.com) for most current technical data.



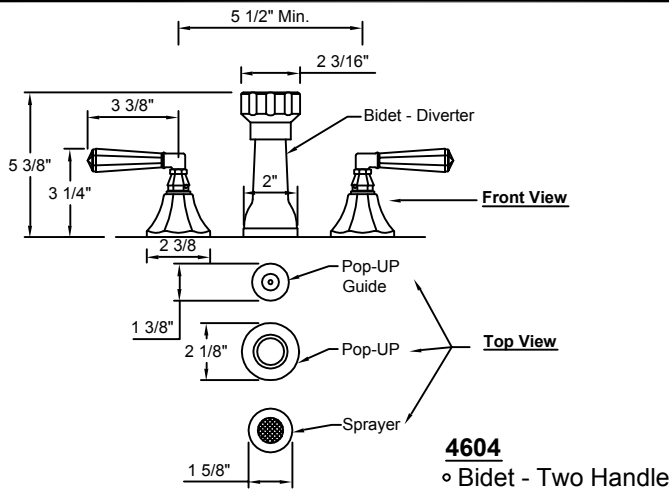
**4602**  
 ◦ Widespread



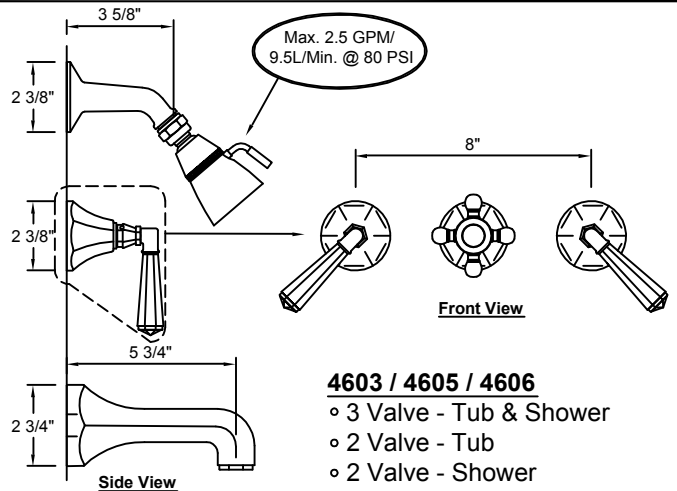
**46-PBS / 46-PBTS**  
 ◦ Pressure Balance Shower  
 ◦ Pressure Balance Tub/Shower



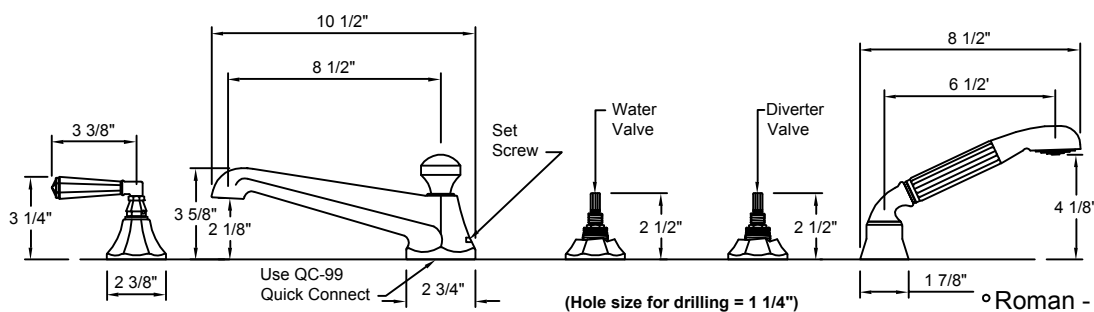
**THC-150-46 / THC-175-46**  
 ◦ Thermostatic Valve - Single Handle Shower



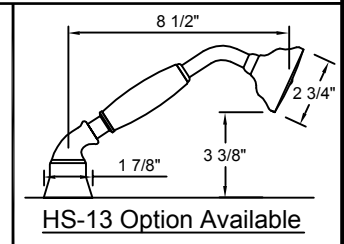
**4604**  
 ◦ Bidet - Two Handle



**4603 / 4605 / 4606**  
 ◦ 3 Valve - Tub & Shower  
 ◦ 2 Valve - Tub  
 ◦ 2 Valve - Shower



**4608 w/ 46.1**  
 ◦ Roman - w/ Optional Hand Held Shower



HS-13 Option Available