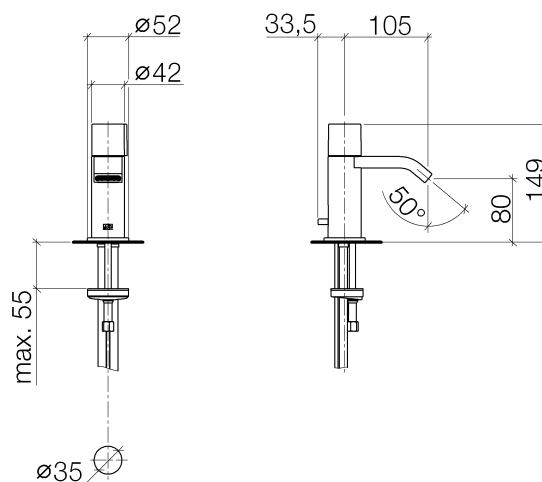




Product specifications

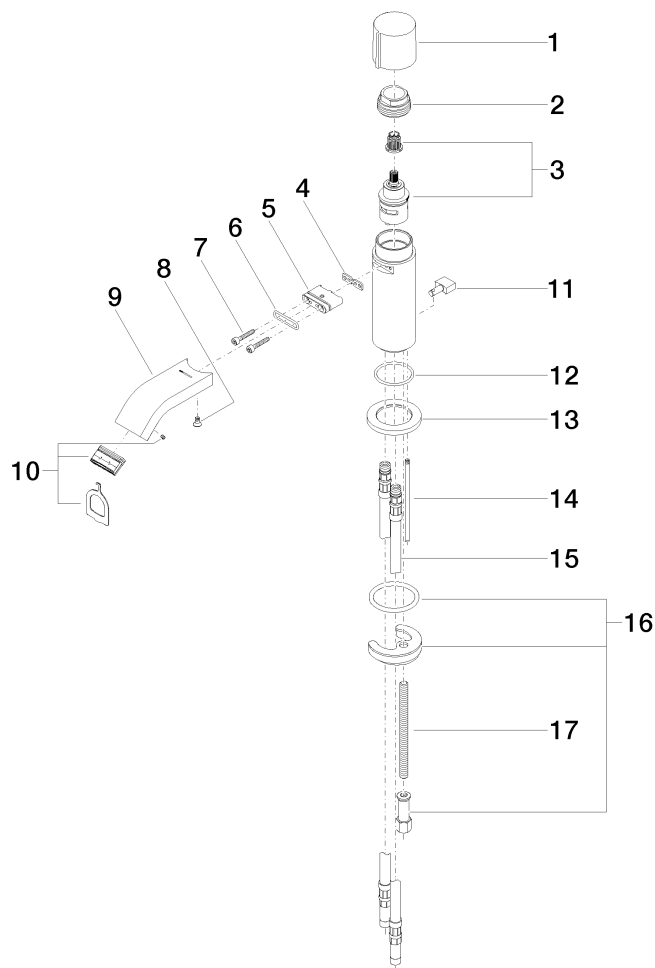
- **4 1/8" projection**
- Aerated flow
- Total height 5 7/8"
- Height to aerator/spout outlet 3 1/8"
- 1 3/8" hole diameter
- Progressive cartridge with ceramic discs
- 2x M 10 x 1 screw-in high pressure hose
- **US drain with overflow**
- Water flow rate limited to max. 1.5 gpm
- low lead compliant
- Optional flange included
[ADA]



Surfaces

- chrome 33507670-000010
- matt platinum 33507670-060010

Exploded assembly drawing



Order quantity

No.	Article number	Name	Installation quantity
1	092067001ff	handle	1
2	092310065ff	nut	1
3	9090031620090	top	1
4	09140313190	seal	1
5	09110306190	connection	1
6	09141005390	seal	1
7	09303018290	screw	2
8	09303011690	screw	1
9	092822238ff	spout	1
10	9029031090090	aerator	1
11	092067002ff	handle	1
12	09141010490	seal	1
13	092767003ff	rosette	1
14	093109080ff	pull-rod	1
15	0430040450090	hose	2
16	0430110850190	fixing set	1
17	09311101290	pin	1
18	04110102300ff	pop-up waste	1

