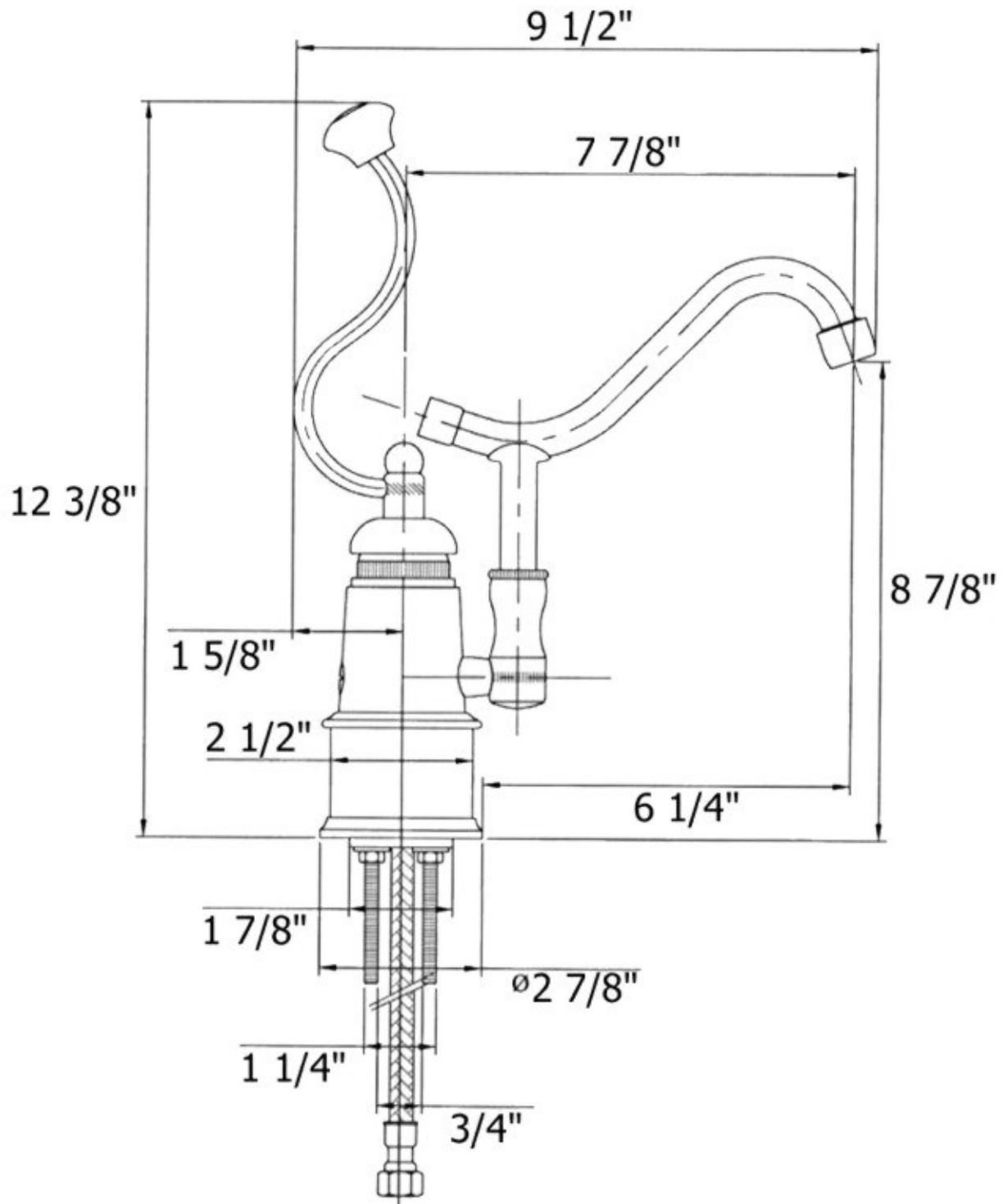


# 4101 - 'De Dion' Single Lever Mixer



Hole Drilling =  $1 \frac{1}{4}''$