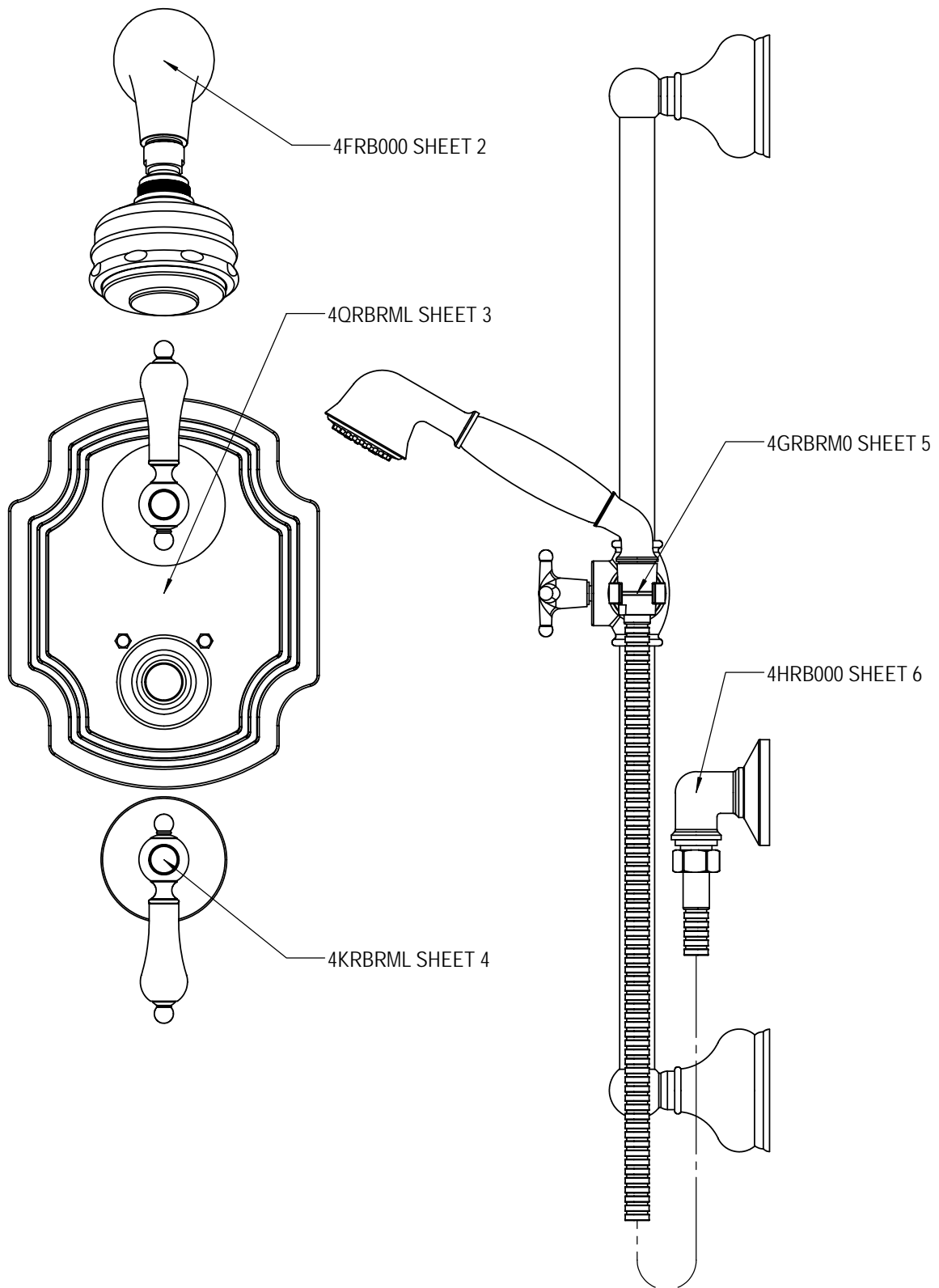


1/2" T/C Shower with Slide Bar 41RBRML

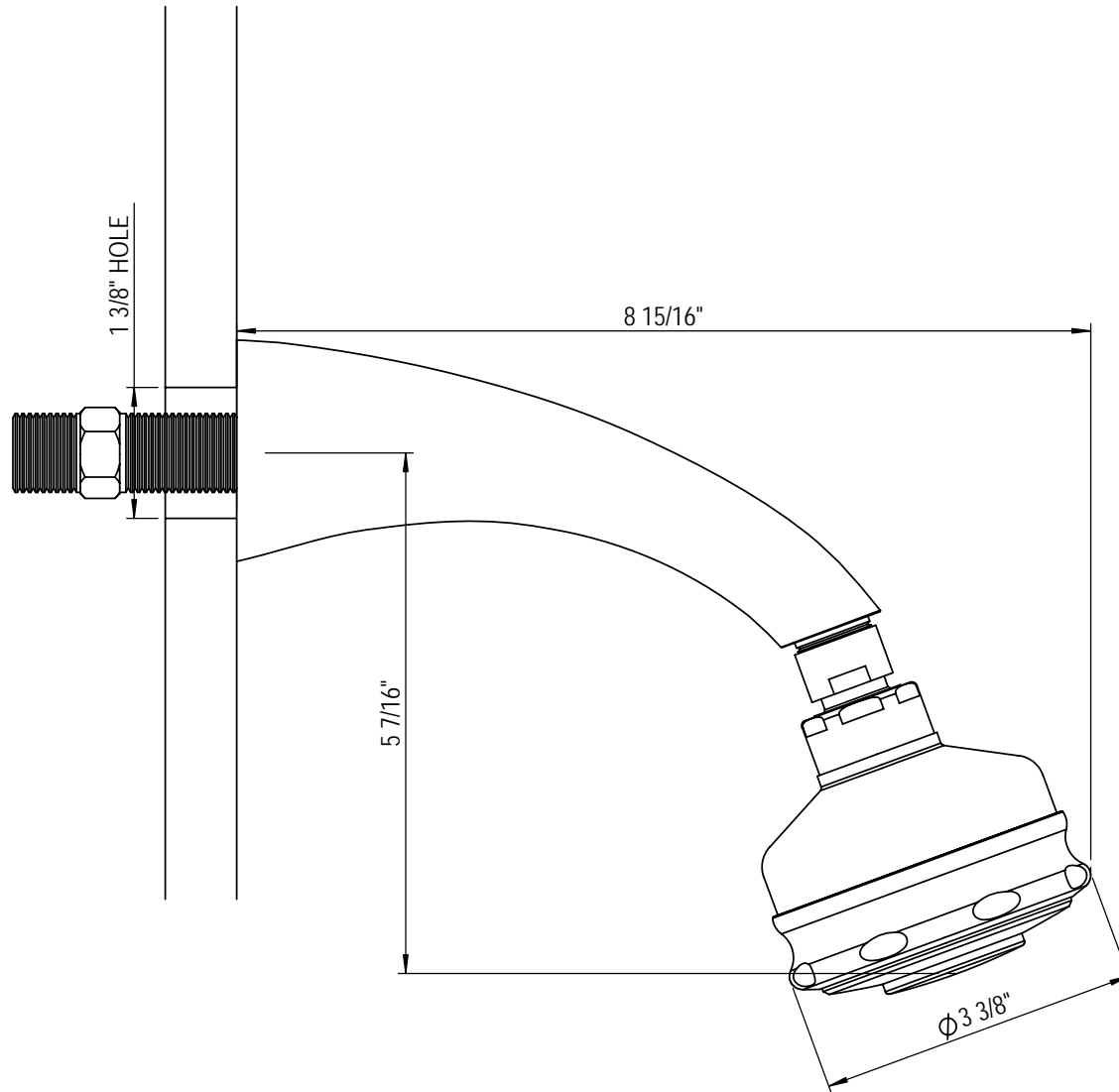


TEL: 905-851-6781
FAX: 905-851-8031
TOLL FREE: 800-461-5901

THE **Rubinet** FAUCET COMPANY

www.rubinet.com

3 Function Shower Head & Arm 4FRB000

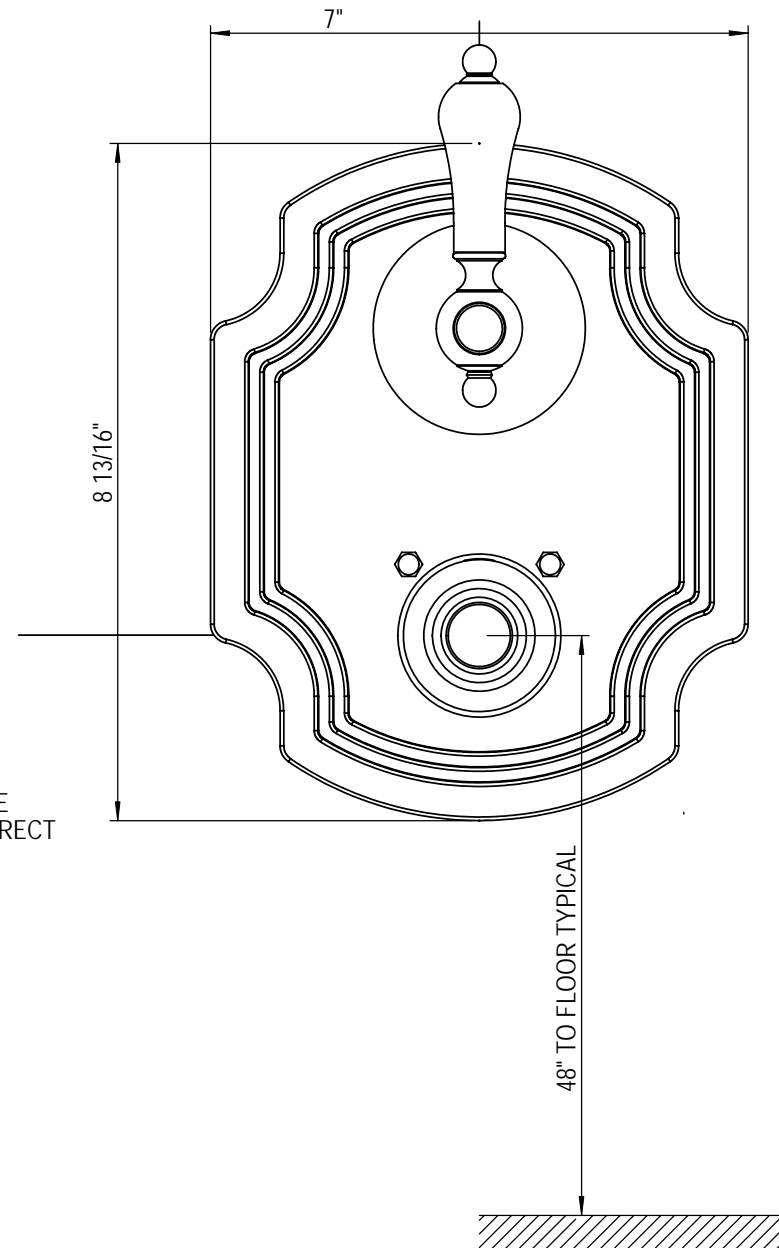
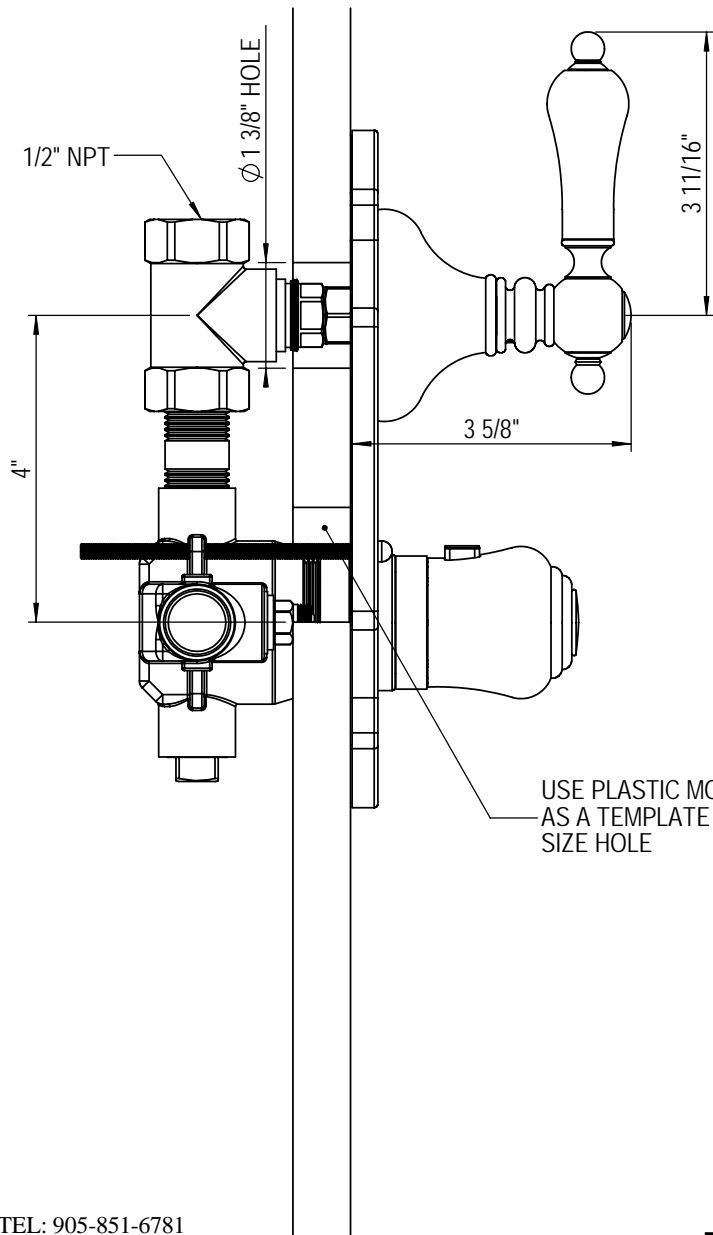


TEL: 905-851-6781
FAX: 905-851-8031
TOLL FREE: 800-461-5901

the RUBINET FAUCET COMPANY

www.rubinet.com

1/2" T/C Valve with Shut-Off Control Valve 4QRBRML

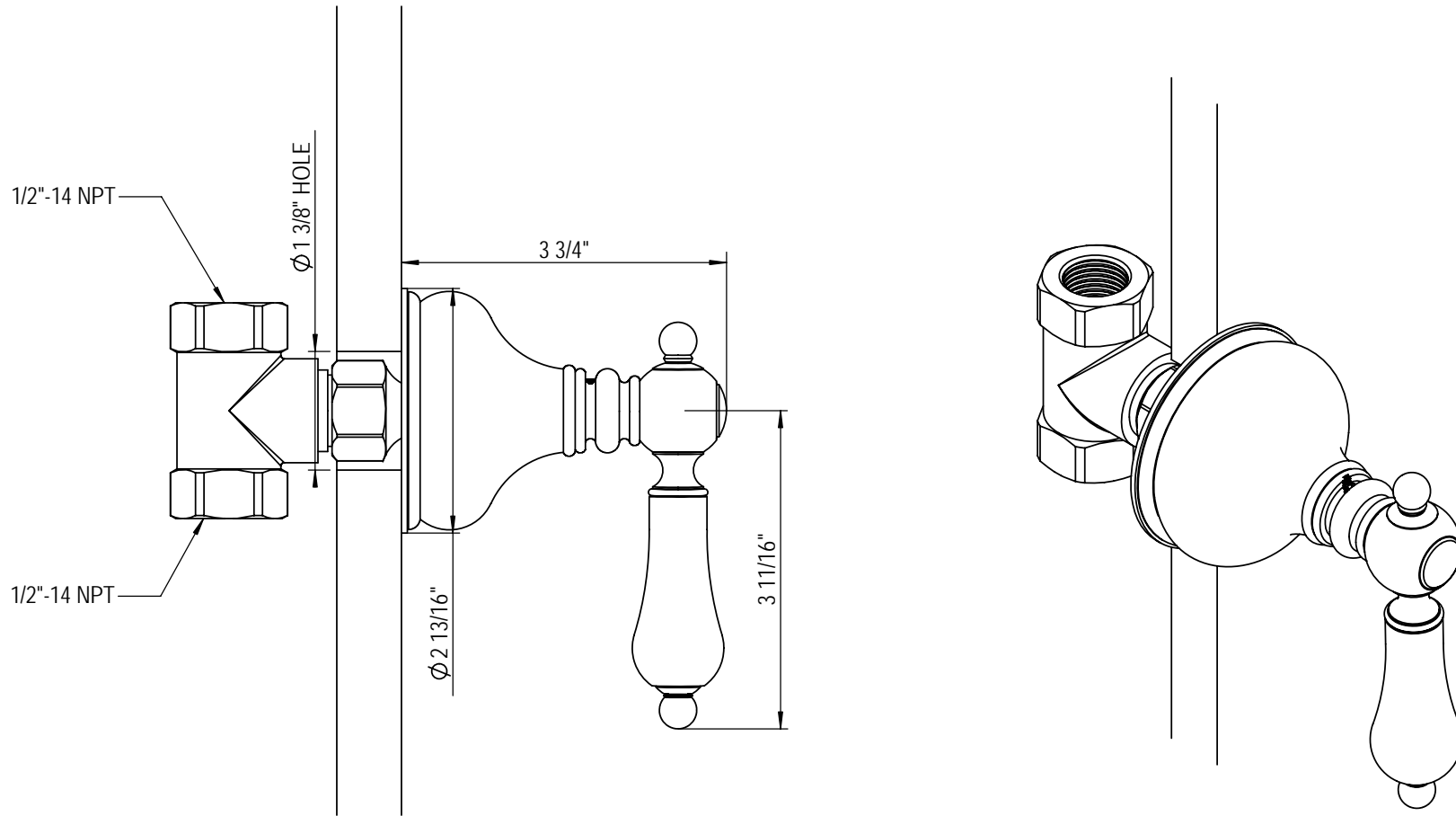


TEL: 905-851-6781
FAX: 905-851-8031
TOLL FREE: 800-461-5901

THE **Rubinet** FAUCET COMPANY

www.rubinet.com

1/2" Shut-Off Volume Control Valve 4KRBRML

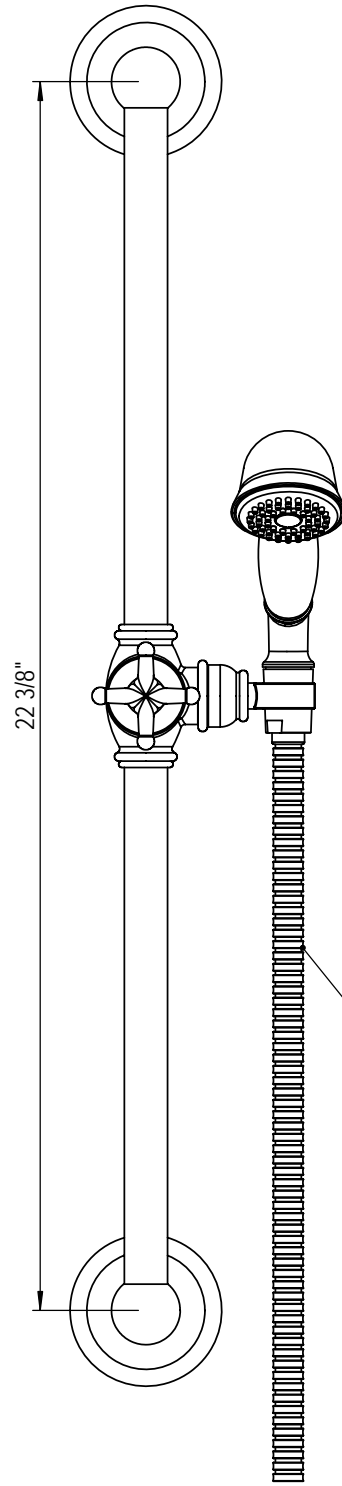
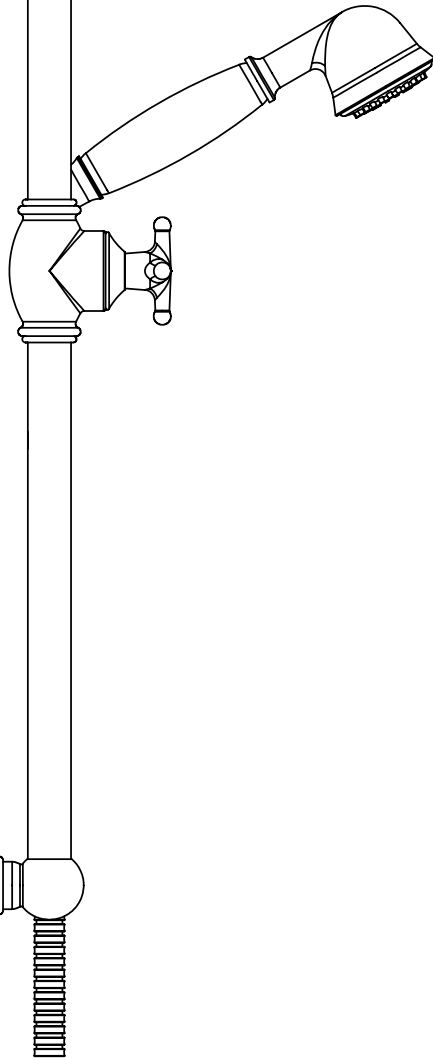
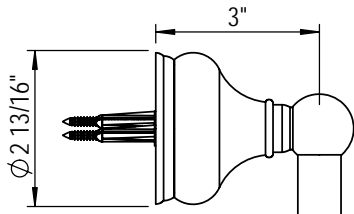


TEL: 905-851-6781
FAX: 905-851-8031
TOLL FREE: 800-461-5901

the RUBINET FAUCET COMPANY

www.rubinet.com

Adjustable Slide Bar with Hand Held Shower 4GRBRM0



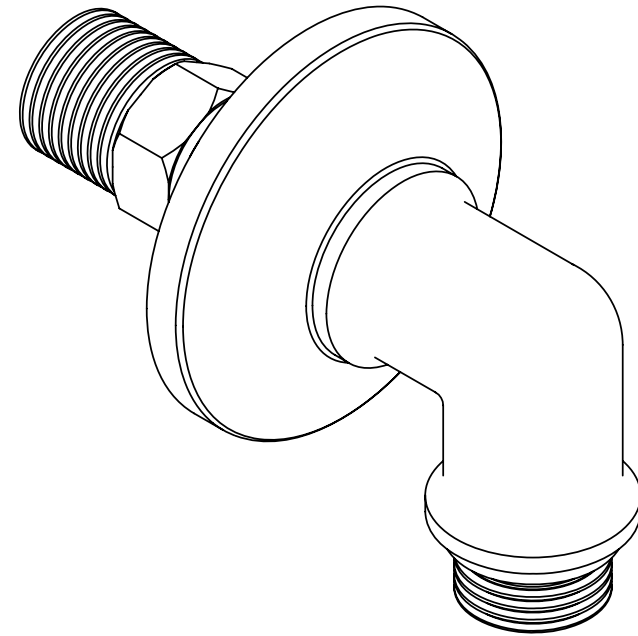
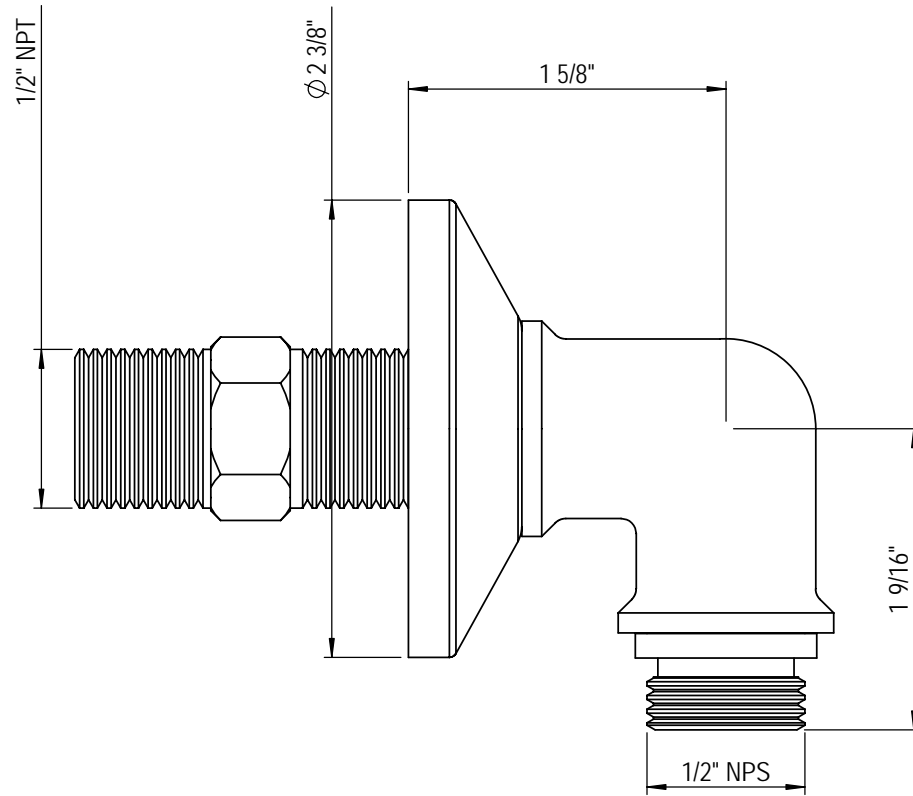
Flexhose 1/2" x 1/2" x 60"

TEL: 905-851-6781
FAX: 905-851-8031
TOLL FREE: 800-461-5901

the RUBINET FAUCET COMPANY

www.rubinet.com

Integral Supply with 1/2" NPT x 1/2" Nipple 4HRB000



TEL: 905-851-6781
FAX: 905-851-8031
TOLL FREE: 800-461-5901

the RUBINET FAUCET COMPANY

www.rubinet.com