

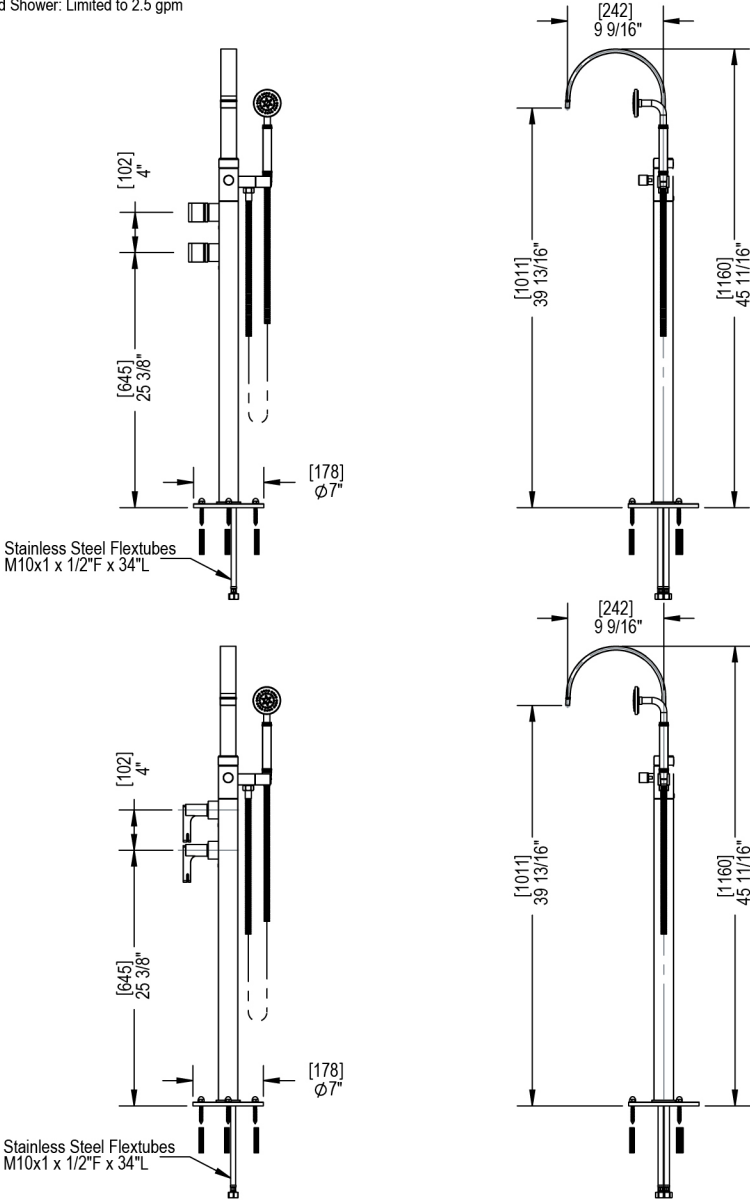
FEATURES:

Features

- Brass construction with choice of 21 finishes
- Quarter Turn Ceramic Disk Cartridges
- Flow Rate:

Tub Filler: Full Flow

Hand Shower: Limited to 2.5 gpm



CONTACT US:

If you need assistance with installation, replacement parts or have any questions regarding your Rubinet product, please call a Customer Service representative at: 905-851-6781 toll free 1-800-461-5901 or visit www.rubinet.com