

JULIEN

Donnez vie à vos idées.
Make your ideas real.

SPECIFICATIONS

Category: **Kitchen sink**

MODEL: **3611** (bowl depth = 8")
 3612 (bowl depth = 10")

Type: **Undermount Single Bowl**

Collection: **UrbanEdge®**

FEATURES:

- Handcrafted from a single sheet of stainless steel
- Commercial grade - 16ga material
- Corrosion resistant 304 series stainless steel (18/10)
- Elegant no.4 brushed finish (appliance finish)
- 0mm radius corner
- Highly efficient sound deadening pads
- Practical flat sink bottom and straight bowl sides
- Stylish and functional bowl bottom grooves
- Optional in-bowl storage drawer
- Rear Ø3 1/2" drain placement
- Limited lifetime warranty

STANDARDS COMPLIANCE:

- ASME A112.19.3
- CSA B45.0-02
- CSA B45.4-02

OPTIONAL ACCESSORIES:

- Grid #200153
- Colander #205008
- Cutting board #210036

WARRANTY:

Julien warrants for their lifetime the [fix] stainless steel components of their products and, for a one-year period following the purchase date, the other [mobile] parts options or accessories, against defects of material or workmanship. For further details, refer to our catalog or website.

PRODUCT SPECIFICATIONS:

Sink type to be undermount single bowl. Sink to be handcrafted from a single sheet of 16 ga stainless steel having 18/10 chrome/nickel content and a no.4 brushed finish. Sink to feature bowl bottom grooves, rear Ø3 1/2" drain placement and sound insulation pads. Sink overall dimensions to be 28,5" left-to-right and 17,5" front to back. Bowl dimensions to be 27" left-to-right and 16" front to back. Sink to feature 0mm radius corners. Sink to be Julien UrbanEdge® collection model no. 3611 with bowl depth of 8" or model no. 3612 with bowl depth of 10".

PROJECT/JOB INFORMATION:

Project/Job name: _____

Specifier: _____

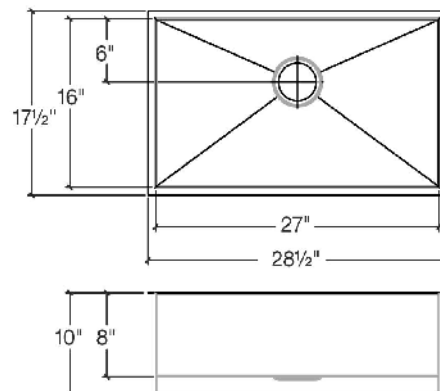
Contractor: _____



SINK DIMENSIONS:

Model	Overall	Bowl (s)	Depth	Required Cabinet size
3611	28,5 x 17,5	27 x 16	8	33
3612	28,5 x 17,5	27 x 16	10	33

- All dimensions are in inches
- Cutout template supplied with every sink and available on our web site



This specification is subject to change without notice. Julien assumes no responsibility for the use of superseded or voided specifications.