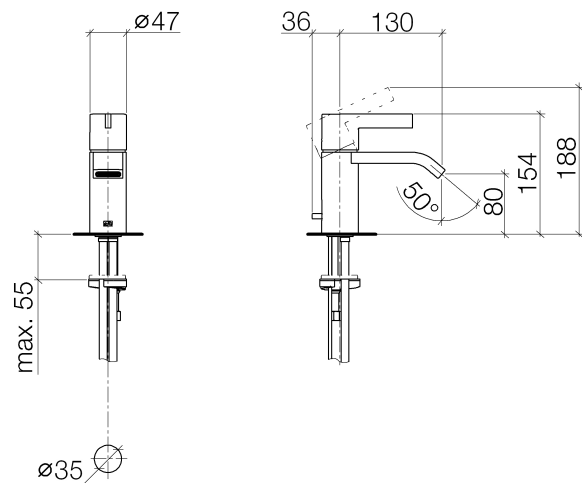




Product specifications

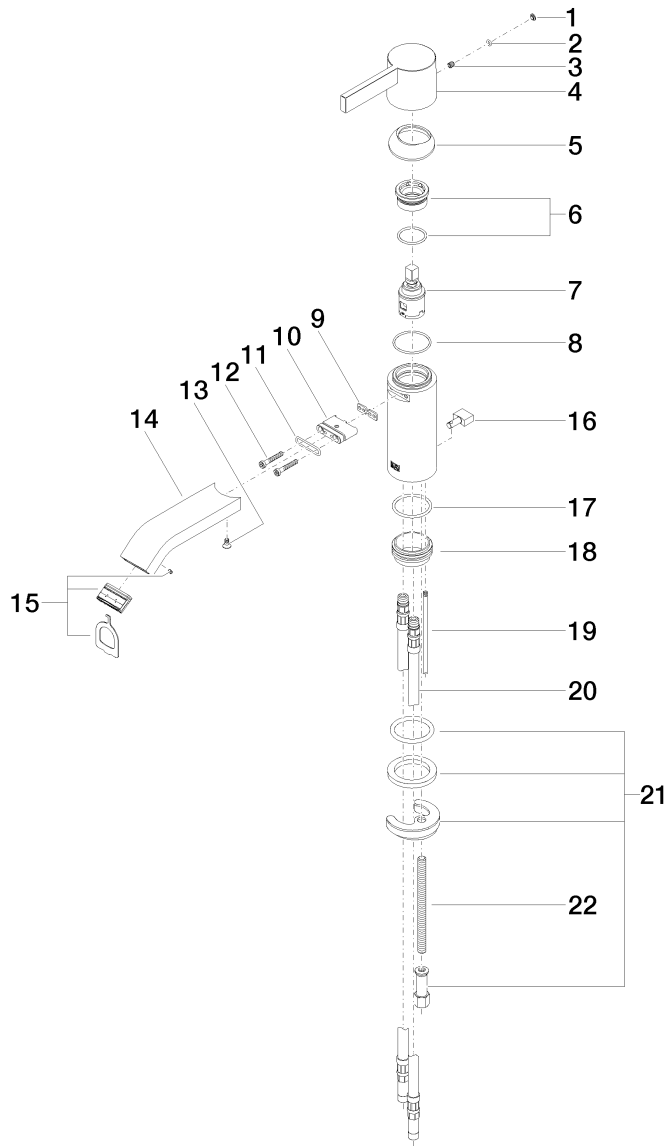
- **5 1/8" projection**
 - Aerated flow
 - Fitting height 7 1/2" when open
 - Height to aerator/spout outlet 3 1/8"
 - 1 3/8" hole diameter
 - Ceramic disc cartridge
 - 2x M 10 x 1 screw-in high pressure hose
 - **US drain with overflow**
 - Water flow rate limited to max. 1.5 gpm
 - low lead compliant
- [ADA]



Surfaces

- | | |
|-----------------|-----------------|
| • chrome | 33500670-000010 |
| • chrome | 33500670-000010 |
| • matt platinum | 33500670-060010 |
| • matt platinum | 33500670-060010 |

Exploded assembly drawing



Order quantity

No.	Article number	Name	Installation quantity
1	093120087ff	plug	1
2	09141013390	seal	1
3	09311103090	pin	1
4	092067003ff	handle	1
5	092830019ff	cover	1
6	9023100660090	nut	1
7	9015050420090	cartridge	1
8	09141010290	seal	1
9	09140313190	seal	1
10	09110306190	connection	1
11	09141005390	seal	1
12	09303008490	screw	1
13	09303011690	screw	1
14	092822239ff	spout	1
15	9029031090090	aerator	1
16	092067002ff	handle	1
17	09141011990	seal	1
18	092810109-07	ring	1
19	093109080ff	pull-rod	1
20	0430040450090	hose	2
21	0430110856290	fixing set	1
22	09311101290	pin	1
23	04110102300ff	pop-up waste	1

