



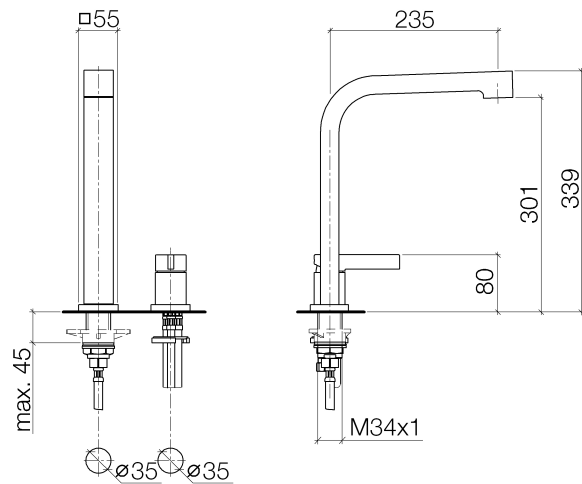
Product specifications

• **9 1/4" projection**

- Swivel spout 360°
- Total height 13 3/8"
- Height to aerator/spout outlet 11 7/8"
- Single-lever-mixer hole diameter 1 3/8"
- Spout hole diameter 1 3/8"
- M 24 x 1 aerator – male thread
- Ceramic disc cartridge
- M 10 x 1/2 flex line
- 2x M 10 x 1 x 16 1/2" high pressure hose
- Individual flanges 2 1/8" x 2 1/8"
- Water flow rate limited to max. 1.5 gpm
- low lead compliant

[ADA]

Flexible positioning of components



Kitchen

32800795 Two-hole mixer with individual flanges

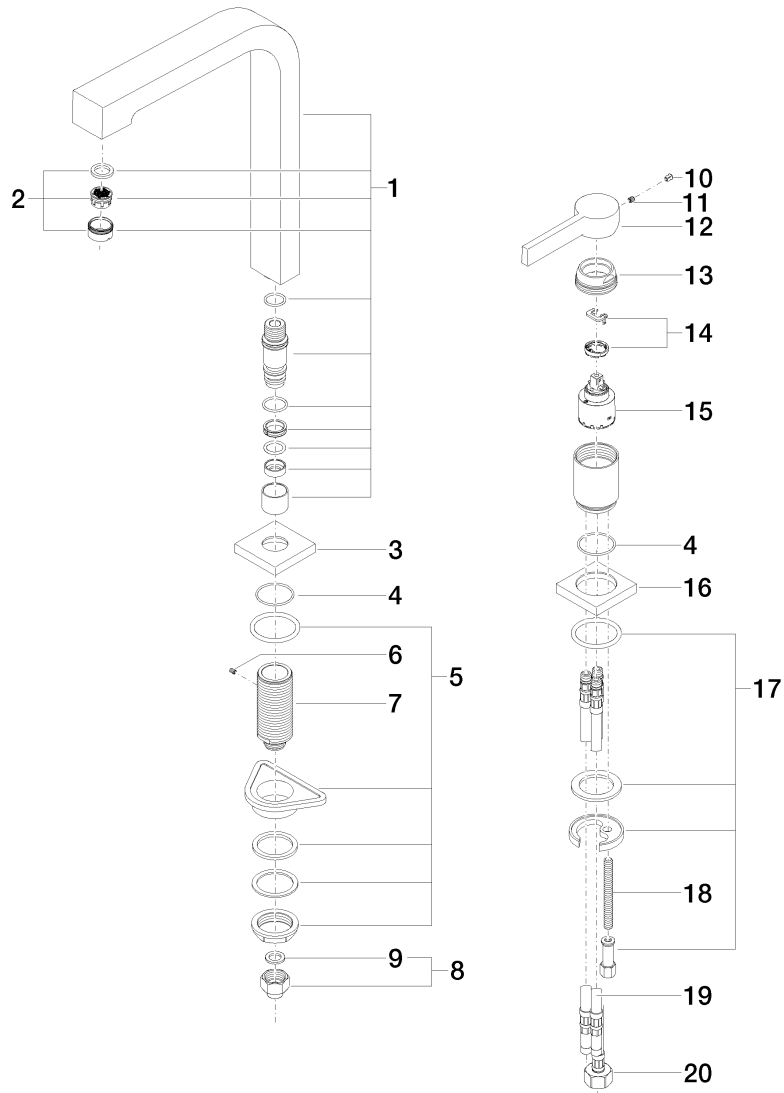
Article number: 32800795



Surfaces

- chrome 32800795-000010
- matt platinum 32800795-060010

Exploded assembly drawing



Order quantity

No.	Article number	Name	Installation quantity
1	90110609803ff	spout	1
2	90230102608ff	aerator	1
3	092779006ff	rosette	1
4	09141010290	seal	2
5	0423100440190	fixing set	1
6	09311100890	pin	1
7	093001095ff	adaptor	1
8	0424041661090	nipple	1
9	09142000290	seal	1
10	09312001790	plug	1
11	09311103090	pin	1
12	092079040ff	handle	1
13	092404141ff	nut	1
14	0428101480090	accessories	1
15	09150506190	cartridge	1
16	092779005ff	rosette	1
17	0430110380090	fixing set	1
18	09311101190	pin	1
19	0430040450090	hose	2
20	0430040190090	hose	1

