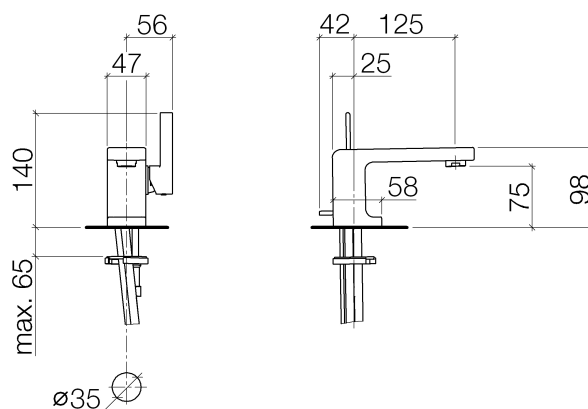




Product specifications

- **4 7/8" projection**
- M 24 x 1 aerator – male thread
- Total height 5 1/2"
- Height to aerator/spout outlet 3"
- Ceramic disc cartridge
- 2x M 8 x 1 flex lines
- **US drain with overflow**
- Water flow rate limited to max. 1.5 gpm
- low lead compliant

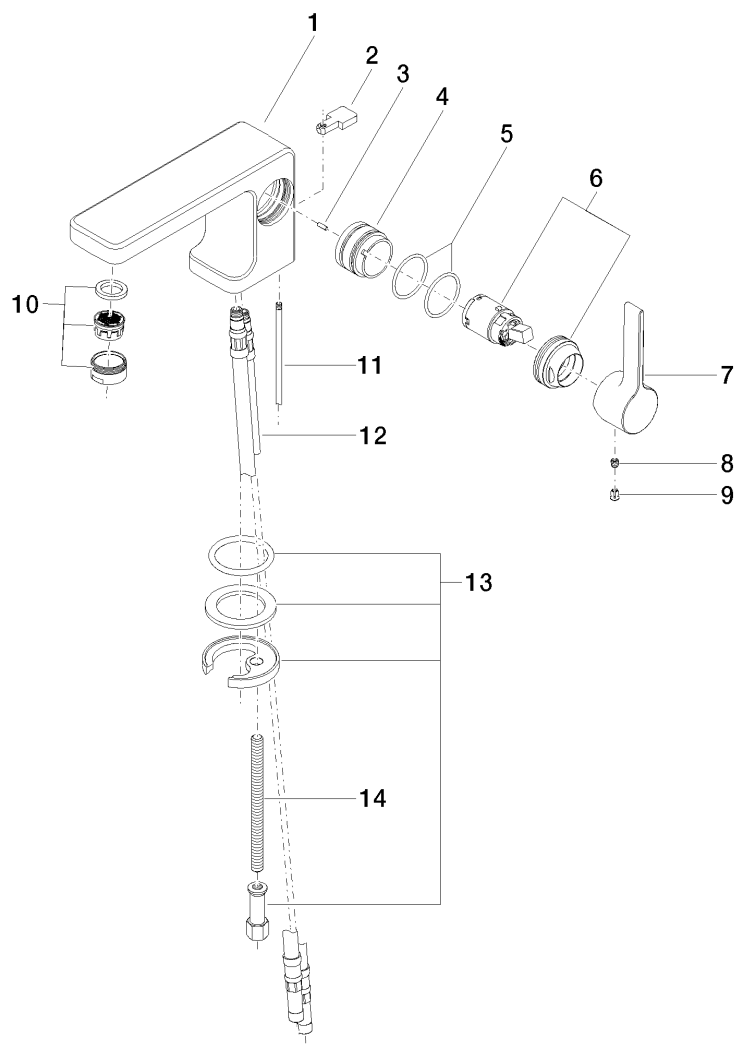
[ADA]



Surfaces

- | | |
|-----------------|-----------------|
| • chrome | 33505710-000010 |
| • chrome | 33505710-000010 |
| • matt platinum | 33505710-060010 |
| • matt platinum | 33505710-060010 |

Exploded assembly drawing



15 — Ablaufgarnitur 04.11.01.001.00-ff

Order quantity

No.	Article number	Name	Installation quantity
1	09197102510ff	casing	1
2	092071030ff	handle	1
3	09311111190	pin	1
4	0918400951090	sleeve	1
5	09141013790	seal	2
6	90150504100ff	cartridge	1
7	092071040ff	handle	1
8	09311103090	pin	1
9	09312001790	plug	1
10	90230111803ff	aerator	1
11	093109080ff	pull-rod	1
12	0430040180090	hose	2
13	0430110387590	fixing set	1
14	09311101290	pin	1
15	04240422200ff	adaptor	2
16	04233003101-07	threaded connector	2
17	09240422210ff	adaptor	2
18	04110102300ff	pop-up waste	1

