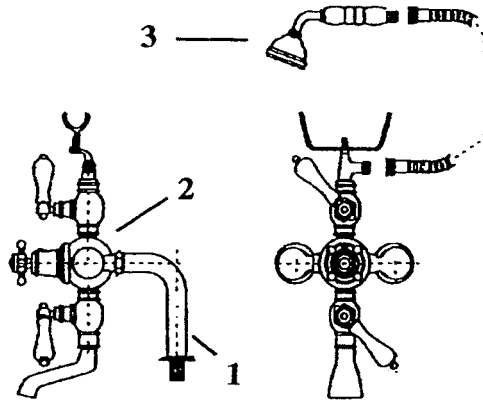


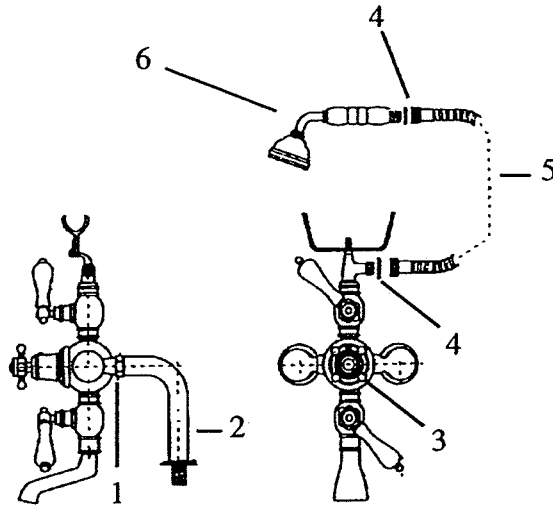
HBW
INSTALLATION INSTRUCTIONS
19-490TH-XXX
-406-XXX



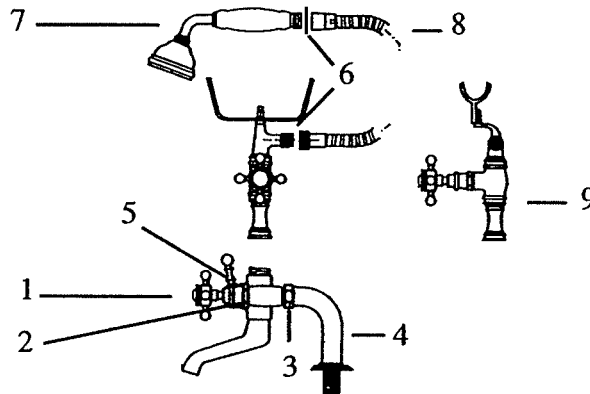
- Secure the 6 X 4 adapter (1) to the deck.
- Attach the valve body (2) to the adapters.
- Install the hose and hand shower to the cradle (3).
- On the **19-490TH** model, verify that the desired temperature is coming out of the spout. To do this, use a thermometer. The temperature can be adjusted by turning the cross handle clockwise (colder) or counterclockwise (hotter). If you would like hotter water, push the indicator button in and turn the handle counterclockwise.
- If the desired temperature cannot be achieved, please remove the handle trim to expose the spindle of the cartridge. Turn the water on and turn the spindle clockwise until only cold water comes out of the tub spout or showerhead. Now turn the spindle counterclockwise until you get the desired temperature; this can be checked with a thermometer.
- Re-install the handle trim assembly, taking care not to move the spindle.

XXX INDICATES A FINISH IS NECESSARY
— INDICATES A SERIES NUMBER IS NECESSARY

PARTS
19-490TH-XXX
-406-XXX



- | | | | |
|------------------|---------------------|----------------|--------------------|
| 1. 80-023-000 | Rubber washer | 5. 82-033-XXX | Exposed metal hose |
| 2. 20-80-420-XXX | 6 x 4 deck adapters | | 58" 1/2" x 1/2" |
| 3. 19-491-CAR | Cartridge | 6. -80-940-XXX | Hand shower |
| 4. 80-021-000 | 1/2" rubber washer | | |



- | | | | |
|------------------|--------------------------|--------------------|------------------------------------|
| 1. -80-012-XXX | Handle | 6. 80-021-000 | 1/2" washer |
| 2. 80-1302-000 | Cold cartridge | 7. -80-940-XXX | Hand shower |
| 80-1302-010 | Hot cartridge | 8. 84-033-XXX | Exposed metal hose |
| 3. 80-023-000 | Rubber washer | | 60" 1/2" x 1/2" |
| 4. 20-80-420-XXX | 6 x 4 deck adapter | 9. 20-80-306CV-XXX | Cradle and volume control [pre-02] |
| 5. 80-1500-000 | [406] Diverter cartridge | 20-80-306C-XXX | Cradle |
| 80-1501-000 | [406] Diverter plunger | | |

XXX INDICATES A FINISH IS NECESSARY
— INDICATES A SERIES NUMBER IS NECESSARY