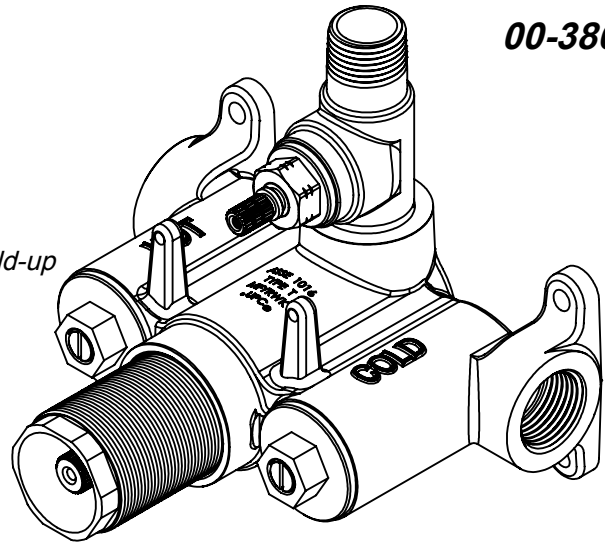


### Features

- Forged brass valve body construction
- 1/2" NPT connections (2 inlet & 1 outlet)
- Flow rate: 10 gpm (37.9 L/m) @ 60 psi
- Integral service stops
- Built-in check valves to prevent crossflow
- Single-handle temperature mixing
- Thermostatic anti-scald protection
- Genuine Vernet® mixing cartridge featuring
  - Thermoplastic polymer construction to limit limescale build-up
  - Integrated filter screens
  - Paraffin wax element
- Single integral shut-off/volume control valve

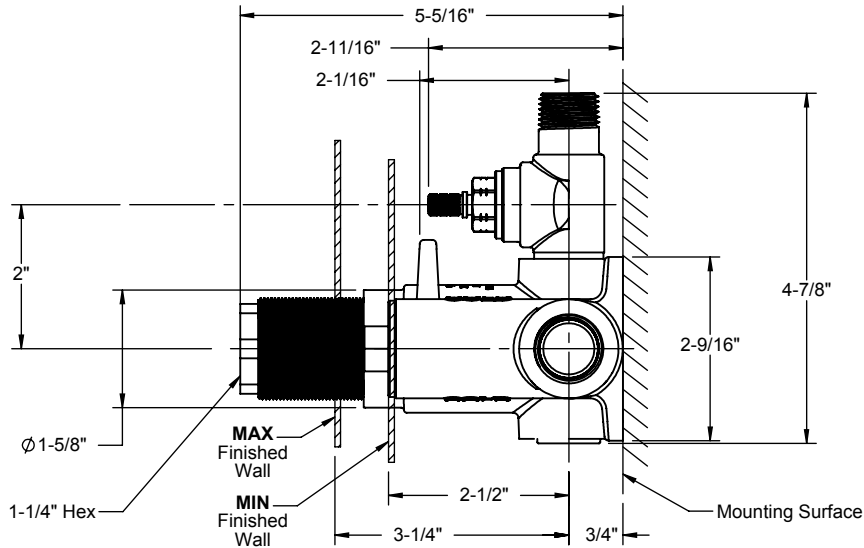
00-386N-000



### Codes/Standards Applicable

Specified model meets or exceeds the following:

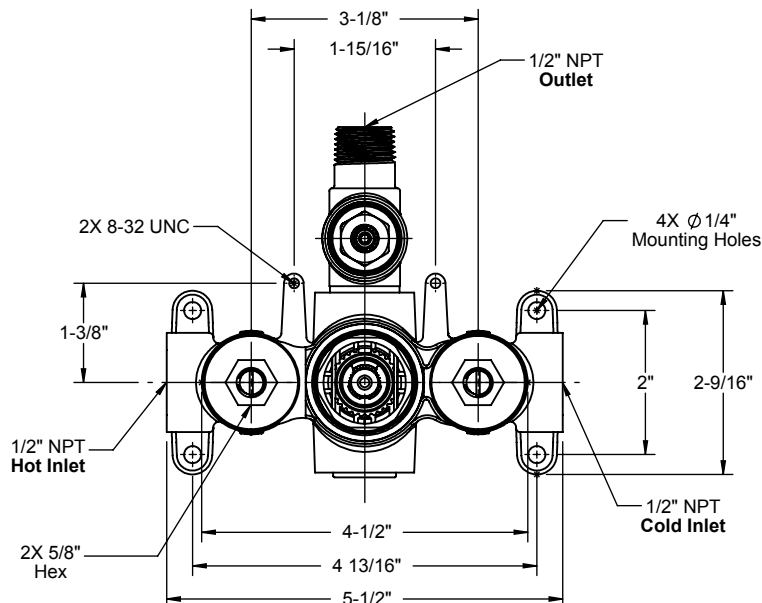
- ASME A112.18.1-2005/CSA B125.1-05
- ASSE 1016
- ADA (with lever handles)
- Listed IAPMO/cUPC®



SIDE VIEW

FRONT VIEW

ALL DIMENSIONS SHOWN TO NEAREST 1/16"



### Features

- Over 30 finishes
  - All brass construction
  - Traditional or transitional faceplate
  - Engraved brass temperature ring
  - 100° F safety stop button with manual override
  - Traditional volume control handle
  - Handles to match all Harrington Brass series
- See [www.harringtonbrassworks.com](http://www.harringtonbrassworks.com) for complete selection

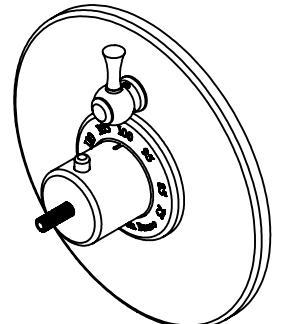
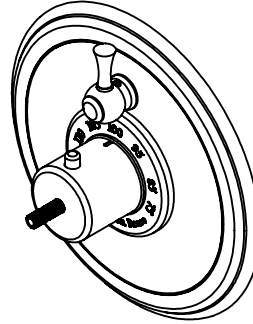
### Codes/Standards Applicable

Specified model meets or exceeds the following:

- ASME A112.18.1-2005/CSA B125.1-05
- ASSE 1016
- ADA (with lever handles)
- Listed IAPMO/UPC®

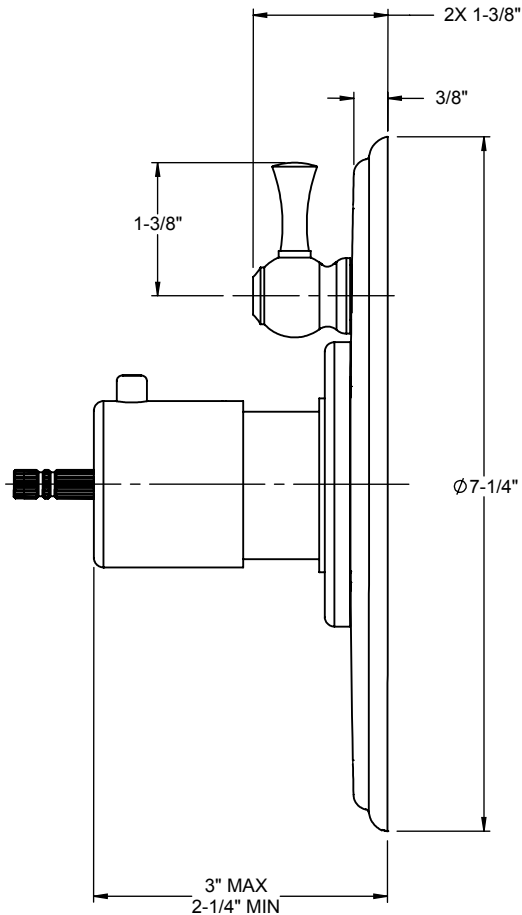
**XX-386N1T-XX**  
**XX-389C1T-XX**

**XX-386N2T-XX**  
**XX-389C2T-XX**

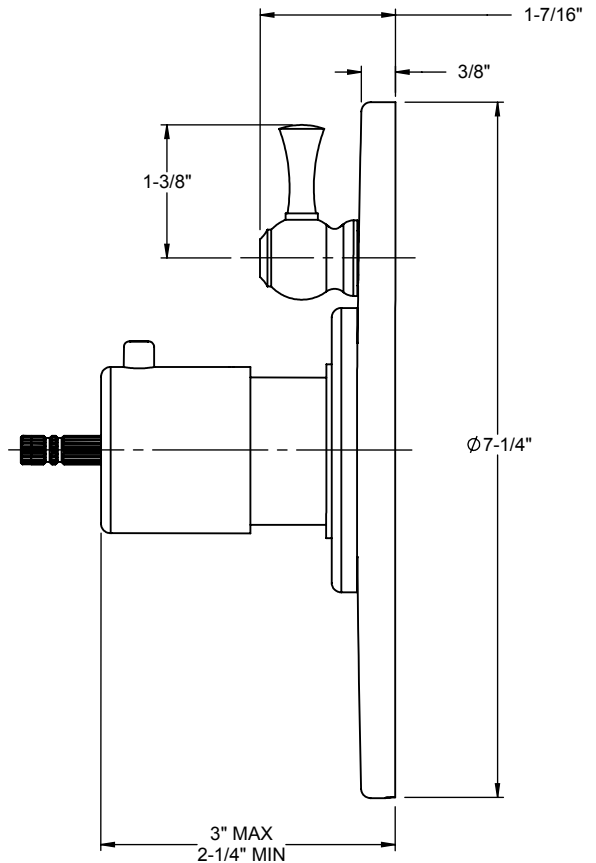


**XX = Series & Handle**

**Traditional Faceplate**



**Transitional Faceplate**



ALL DIMENSIONS SHOWN TO NEAREST 1/16"