

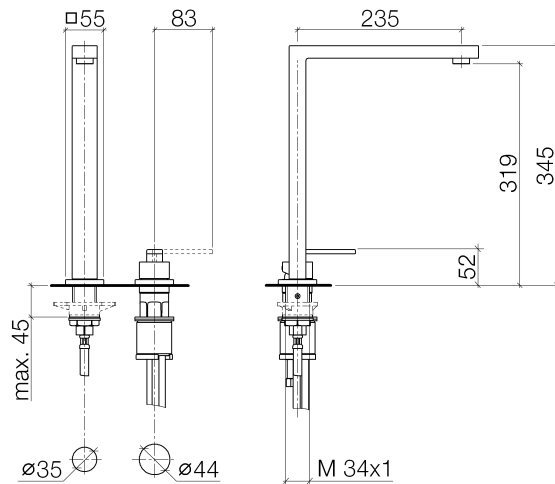


**Product specifications**

- **9 1/4" projection**
- Swivel spout 360°
- Total height 13 5/8"
- Height to aerator/spout outlet 12 1/2"
- Single-lever-mixer hole diameter 1 3/4"
- Spout hole diameter 1 3/8"
- M 24 x 1 aerator – male thread
- Ceramic disc cartridge
- M 10 x 1/2 flex line
- 2x M 10 x 1 x 16 1/2" high pressure hose
- Individual flanges 2 1/8" x 2 1/8"
- Water flow rate limited to max. 1.5 gpm
- low lead compliant

[ADA]

Flexible positioning of components



Kitchen

**Lot Two-hole mixer with individual flanges**

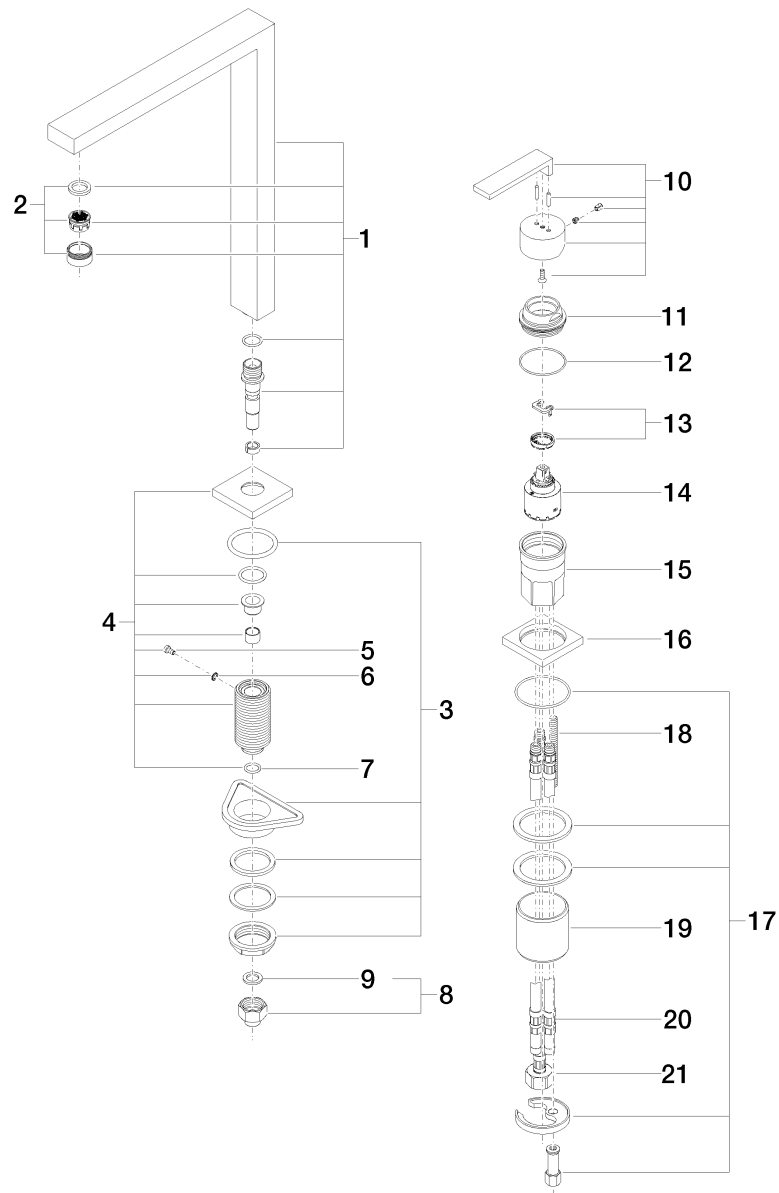
Article number: 32800680



**Surfaces**

- chrome 32800680-000010
- matt platinum 32800680-060010

**Exploded assembly drawing**



**Order quantity**

<b>No.</b>	<b>Article number</b>	<b>Name</b>	<b>Installation quantity</b>
1	90110618808ff	spout	1
2	90230102904ff	aerator	1
3	0423100440190	fixing set	1
4	90277802300ff	rosette	1
5	09303005790	screw	1
6	09301102890	disc	1
7	09141007790	seal	1
8	0424041661090	nipple	1
9	09142000290	seal	1
10	90207804000ff	handle	1
11	092404142ff	nut	1
12	09141003790	seal	1
13	0428101480090	accessories	1
14	09150506190	cartridge	1
15	0930011001090	sleeve	1
16	092778007ff	rosette	1
17	0430110380290	fixing set	1
18	09311101190	pin	1
19	09184007990	sleeve	1
20	0430040450090	hose	1
21	0430040190090	hose	1

Kitchen

**Lot Two-hole mixer with individual flanges**

Article number: 32800680

