



ALTMANS™

ADINA

Floor Mount Tub Filler W/Exposed Risers and

3/4" Shutoff Valves

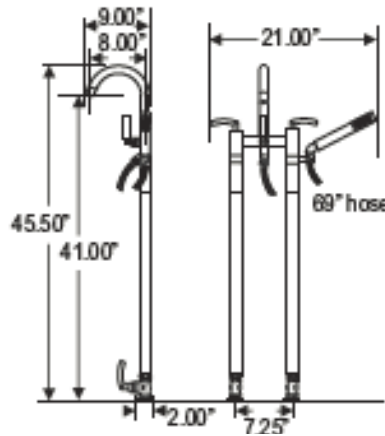
AD27

Handles/Escutcheon: C60



Codes and Standards

- ADA



ALTMANS RESERVES THE RIGHT TO MODIFY AND CHANGE SPECIFICATIONS AT ANY TIME. PLEASE VERIFY DIMENSIONS PRIOR TO INSTALLATION

Color/Finishes

- Polished Chrome, PVD Satin Nickel
- Refer to pricelist for other finishes.

Features and Benefits

- Low Lead Brass Construction
- 1/4 Turn Ceramic Disc Cartridges
- Available in All Finishes

Through-Hole Specifications

Spout: Ø 1 1/4" Max.

Valve: Ø 1 1/4" Max.