

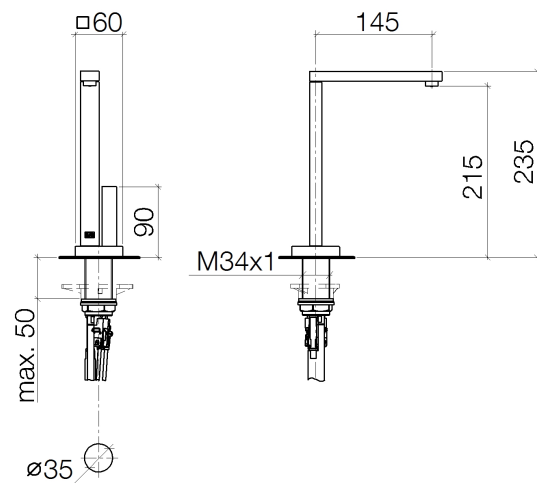


**Product specifications**

- 5 3/4" projection
- Temperature-insulated spout
- Fixed spout
- Total height 9 1/4"
- 8 1/2" height to aerator/spout outlet
- 1 3/8" hole diameter
- One lever for hot and cold water
- Provides filtered, hot water, 199°F max. temperature
- With 12 V DC, 1.5 A plug-in power supply
- Power pack, 110 V
- low lead compliant

Provides filtered, cold water

If there is a noticeable reduction of the water supply, or a noticeable decline in water quality, the filter cartridge needs to be replaced. With proper and regular use, we recommend replacing the filter cartridge every six months.



Kitchen

**17851680 Hot & cold water dispenser**

Article number: 17851680

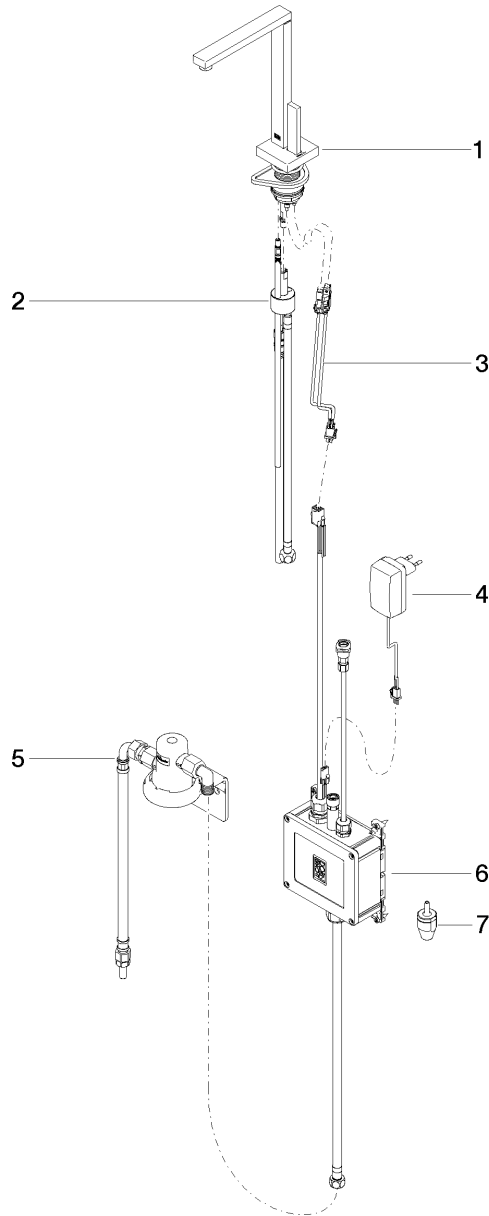


---

**Surfaces**

- chrome 17851680-00
- matt platinum 17851680-06

**Exploded assembly drawing**





**Order quantity**

<b>No.</b>	<b>Article number</b>	<b>Name</b>	<b>Installation quantity</b>
1	90178510001ff	fitting	1
2	9024032340090	nipple set	1
3	9010010480090	electronic accessories	1
4	0410010500090	electronic accessories	1
5	9011110690090	connection	1
6	0411110640090	electronic accessories	1
7	9024042910090	insert	1

