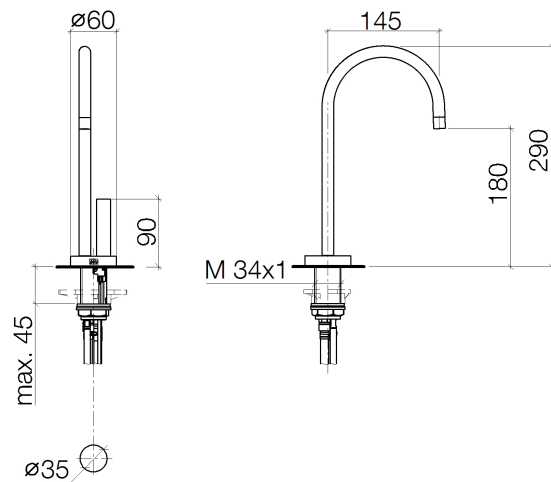




Product specifications

- **5 3/4" projection**
- rigid, thermally insulated outlet
- Temperature-insulated spout
- Fixed spout
- 1 3/8" hole diameter
- Total height 11 1/8"
- 7 1/8" height to aerator/spout outlet
- Provides filtered, hot water, 199°F max. temperature
- Provides filtered, cold water
- Water flow rate limited to max. 0.53 gpm
- ready-fit control unit for wall assembly (5 3/8" x 6 1/4" x 2 3/8")
- electronic valve
- plug-in power supply, 100-230 V, 50-60 Hz, 18 W, incl. country-specific adaptor set
- low lead compliant
- One lever for hot and cold water



Kitchen

17861875 HOT & COLD WATER DISPENSER

Article number: 17861875



If there is a noticeable reduction of the water supply, or a noticeable decline in water quality, the filter cartridge needs to be replaced. With proper and regular use, we recommend replacing the filter cartridge every six months.

[ADA]

Compatible with Insinkerator® hot water tank HWT-F1000S. Tank and Filter not supplied from Dornbracht. More information on tank and filter at www.insinkertator.com.

Surfaces

- chrome 17861875-00
- matt platinum 17861875-06
- platinum 17861875-08