

### FEATURED MODEL

**157-140-CR** BLANCOMERIDIAN™ Semi Professional  
with pull-down spray in Polished Chrome

### ADDITIONAL MODELS

**157-140-ST** Stainless (Satin Nickel)

### FEATURES

- Solid brass body
- Ceramic disc cartridge
- Color coded hot & cold supply lines
- Reversible mounting hardware adapts to thick or thin mounting surfaces
- 2.2 G.P.M. flow rate
- Installation in a 1-3/8" hole

### CODE/STANDARDS COMPLIANCE

ASME A112.18.1-2005

IAPMO Listed

### WARRANTY

Blanco America's Kitchen faucets feature a "NO HASSLE" LIMITED LIFETIME WARRANTY to be free of all manufacturing defects under normal use. See our complete warranty for details.

While Blanco America endeavors to provide accurate information, all dimensions are nominal, cannot be guaranteed, and are subject to change or cancellation. Blanco America assumes no responsibility for use of superseded or voided specifications.

### PRODUCT SPECIFICATION

Kitchen faucet to include lever handle with solid brass body, ceramic disc cartridge and pull-down spray with stainless steel hose protector coil. Faucet dimensions to be as follows: Reach: 8-3/8"; Spout Height: 5-3/4". Hot and cold supply lines to be color coded. Reversible mounting hardware to adapt to thick or thin mounting surfaces. Kitchen faucet to be BLANCOMERIDIAN™ Semi Professional, Model 157-140-\_\_\_\_\_in \_\_\_\_\_finish.

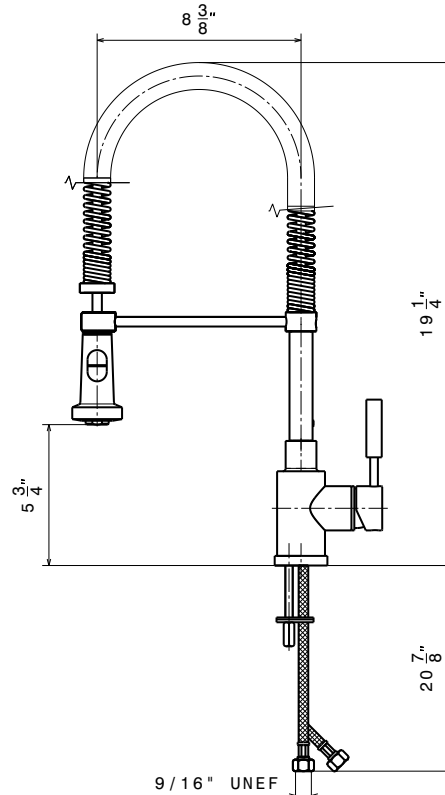
- Polished Chrome 157-140-CR
- Stainless (Satin Nickel) 157-140-ST



MODEL 157-140

### NOMINAL DIMENSIONS

MODEL	REACH	SPOUT HEIGHT	FAUCET HEIGHT
157-140	8-3/8	5-3/4	19-1/4



### JOB INFORMATION

Job Name: \_\_\_\_\_

Contact: \_\_\_\_\_

Date Specified: \_\_\_\_\_

Specifier: \_\_\_\_\_

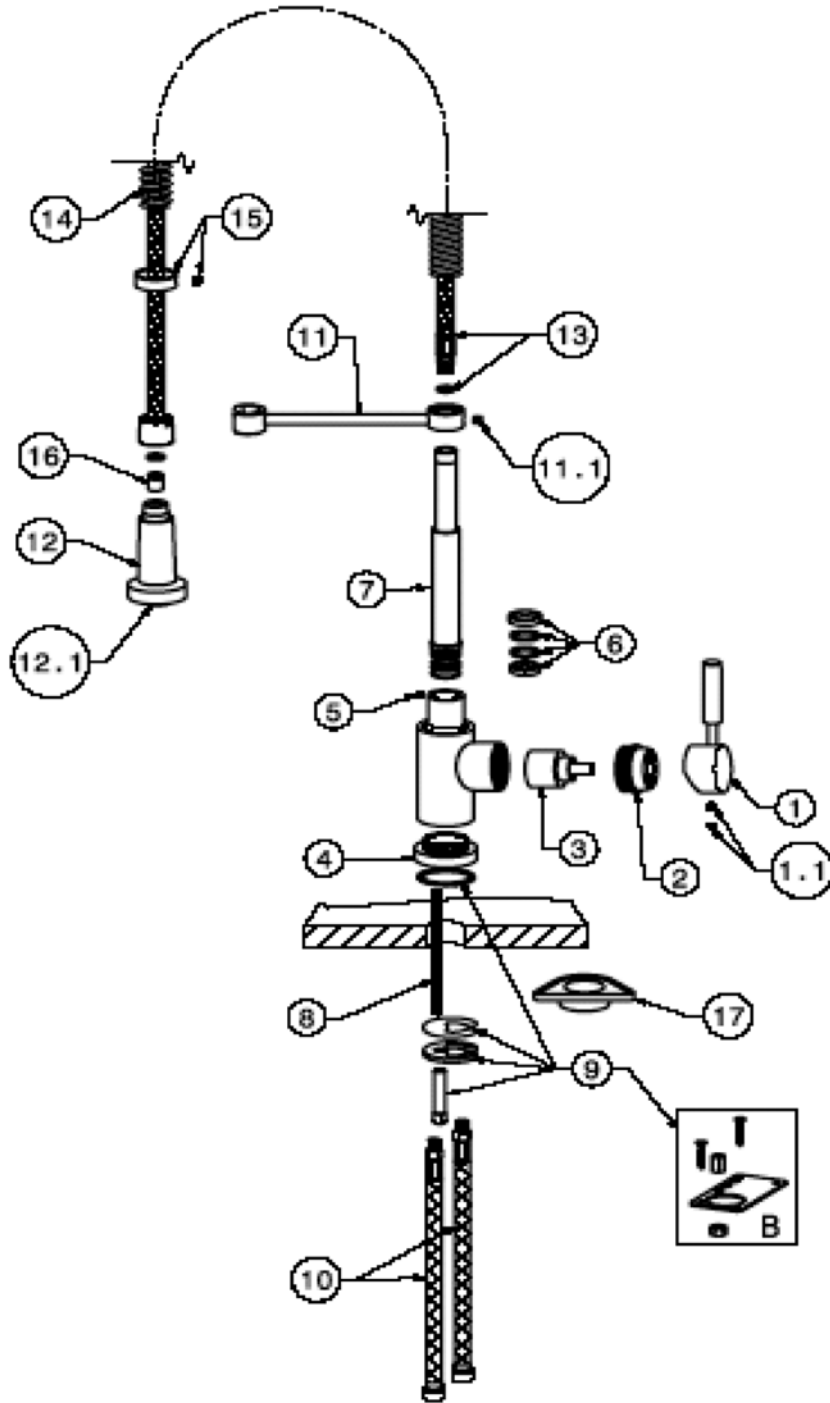
Contractor: \_\_\_\_\_

See next page for exploded parts drawing and parts list.

**BLANCO AMERICA**  
**800.451.5782**  
**www.blancoamerica.com**

**BLANCOMERIDIAN™ SEMI PROFESSIONAL**

**MODEL 157-140**



NUM.	PART #	DESCRIPTION
1	12465	HANDLE
1.1	16125	CAP AND SCREW
2	16034	CARTRIDGE LOCK NUT
3	14720	CARTRIDGE
4	17950	ROUND BASE
5	10235	HOLDING SCREW
6	15302	O-RING
7	12450	CONNECTION PIPE
8	16992	THREADED ROD
9	12335	MOUNTING SET
10	15005	FLEXIBLE HOSES
11	12454	HANDSPRAY DOCK STATION
11.1	18354	DOCKING STATION SCREW
12	12461	HANDSPRAY
13	15115	SPRAY HOSE
14	12455	COIL SPRING
15	16667	SPRING RING
16	15701	CHECK VALVE
17	11953	ADDL SUPPORT BRACKET