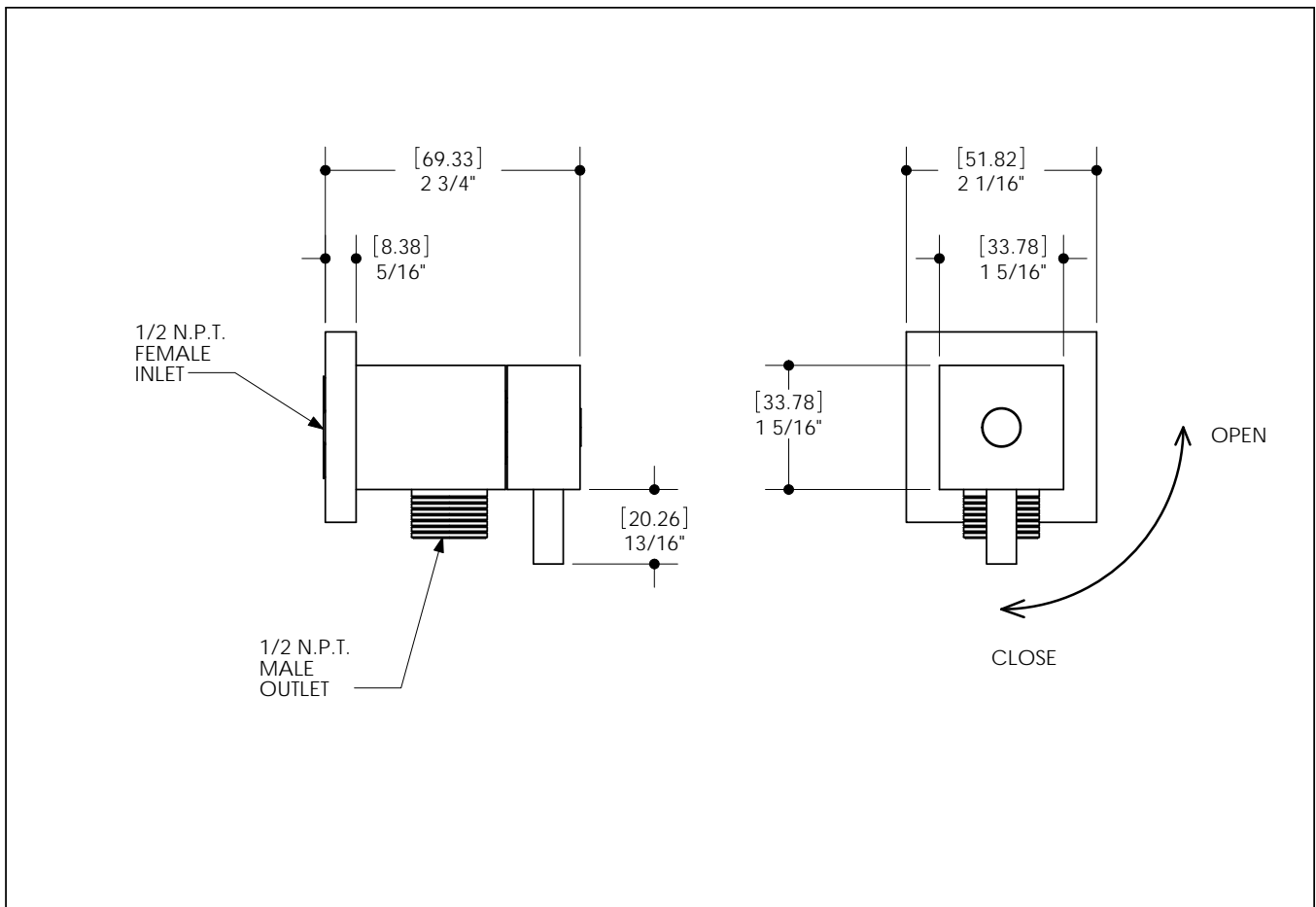
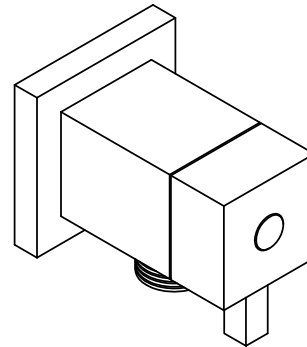


TECHNICAL SPECIFICATION

FEATURES

- Solid brass construction
- 1/2 N.P.T. connection
- Stop valve



SERVICE PARTS

