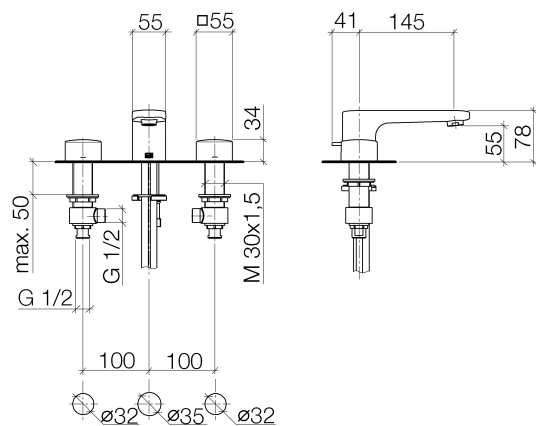




Product specifications

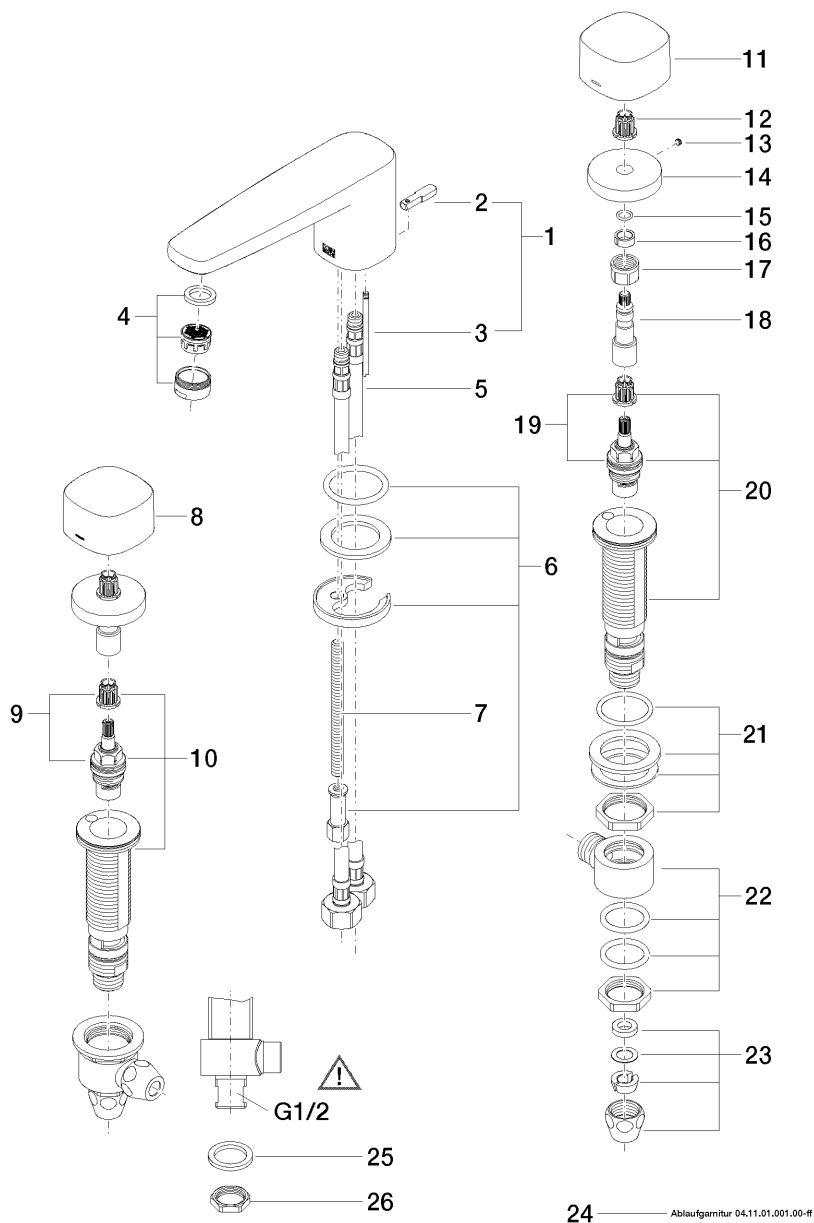
- **5 3/4" projection**
- Fixed spout
- M 24 x 1 aerator – male thread
- Total height 3 1/8"
- Height to aerator/spout outlet 2 1/8"
- Spout hole diameter 1 3/8"
- Valve hole diameter 1 1/4"
- Deck valves with 2x xControl ceramic disc cartridges 1/2"
- 2x M 10 x 1 screw-in high pressure hose
- **US drain with overflow**
- Water flow rate limited to max. 1.5 gpm
- low lead compliant
- Handle



Surfaces

- chrome 20713720-000010
- chrome 20713720-000010

Exploded assembly drawing



Order quantity

No.	Article number	Name	Installation quantity
1	04209600500ff	pull-rod	1
2	092096005ff	handle	1
3	093109080ff	pull-rod	1
4	90230111803ff	aerator	1
5	0430040190090	hose	2
6	0430110387590	fixing set	1
7	09311101290	pin	1
8	092072003ff	handle (hot)	1
9	9090031520090	top	1
10	0417110455290	side panel	1
11	092072004ff	handle (cold)	1
12	09121200290	fixing cap	2
13	09311105590	pin	2
14	092774001ff	rosette	2
15	09141006090	seal	2
16	09141502090	ring	2
17	09233002390	nut	2
18	092906107ff	spindle	2
19	9090031530090	top	1
20	0417110455390	side panel	1
21	0423100327890	fixing set	2
22	0417110231090	distributor	2
23	04110102300ff	pop-up waste	1
24	09301105990	disc	2
25	09231001290	nut	2

