

# HBW

-373-XXX

## ROUGH IN SPEC. FOR ALL 3/4" WALL VALVES

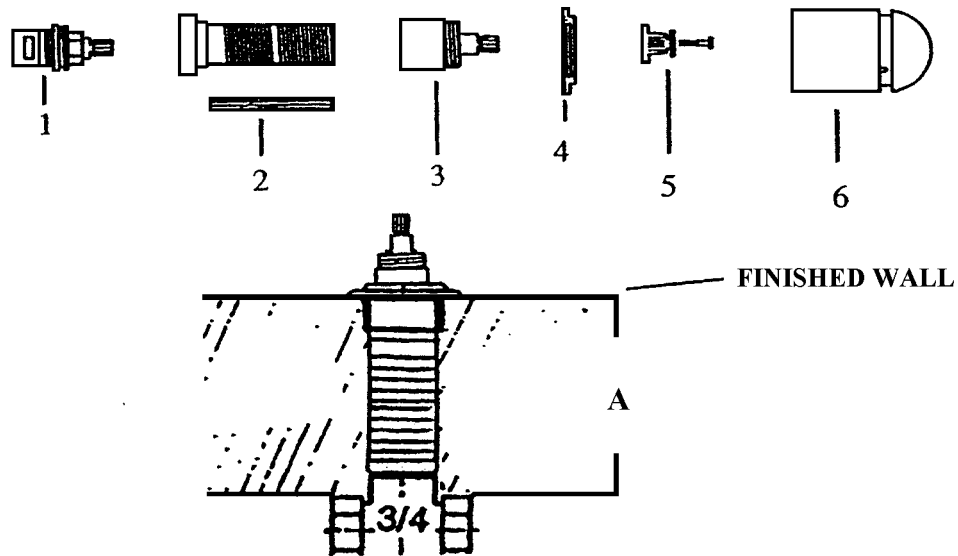
A = Maximum allowable wall thickness

SERIES#	NAME	A
03, 05, 06	Claridge, Carlyle (Curved), Carlyle (Straight)	3-1/2"
04	Polo	3-9/16"
08	Windsor	3-1/2"
10	Olympie [FCH (Fixing Cap Handle)]	3-1/2"
15	Margot [FCH]	3-1/2"
17	Quartz [FCH]	3-9/16"
20, 32, 33, 34, 86, 87, 88	Victorian, Chelsea, Mayfair, Palace, Colisee, Colisee crystal	3-1/4"
24	Mandoline crystal	3-5/8"
26	Cristalsinn I, II, III	3-1/4"
28	Chateau	3-3/8"
29	Milano [FCH]	3-1/4"

11. 80-1302-000 (Cold)  
80-1302-010 (Hot)

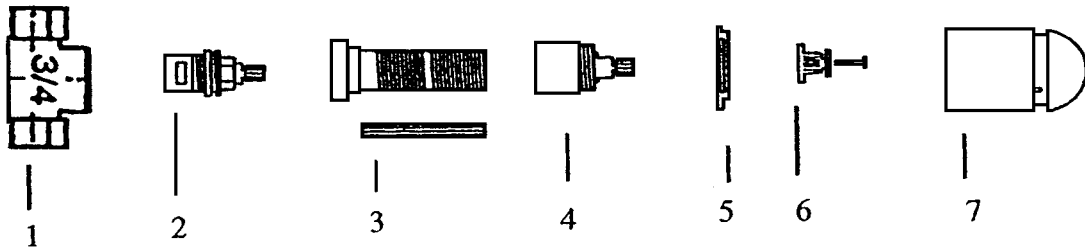
12. 86-645-ML  
13. 86-646BR-XXXM

14. -80-041-XXX  
15. 80-014-000 [FCH]  
16. -80-012-XXX



XXX INDICATES A FINISH IS NECESSARY  
— INDICATES A SERIES NUMBER IS NECESSARY

**PARTS**  
**3/4" WALL VALVE**  
**\_373-XXX**



- |    |  |  |
|----|--|--|
| 1. | 80-373-000<br>80-373-010                                 | 3/4" wall valve w/ cold cartridge<br>3/4" wall valve w/ hot cartridge                          |
| 2. | 80-1302-000<br>80-1302-010<br>80-1303-000<br>80-1303-010 | Cold cartridge [pre 03/2006]<br>Hot cartridge [pre 03/2006]<br>Cold cartridge<br>Hot cartridge |
| 3. | 86-645-ML  | Brass adapter  |
| 4. | 86-646BR-XXXM  | Stem adapter   |
| 5. | _-80-041-XXX   | Sliding flange   |
| 6. | 80-014-000   | Fixing cap   |
| 7. | _-80-012-XXX   | Handle   |

**XXX INDICATES A FINISH IS NECESSARY**  
**— INDICATES A SERIES NUMBER IS NECESSARY**