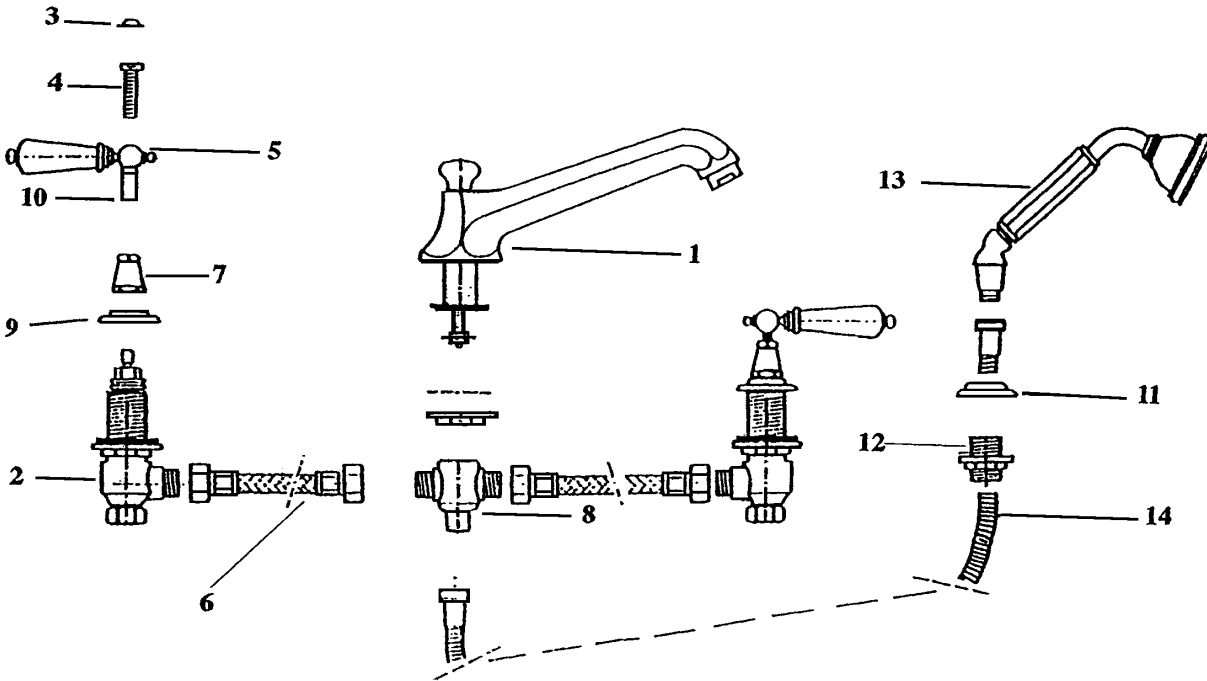


HBW
INSTALLATION INSTRUCTIONS
 -400-XXX DECK TUB (LESS HAND SHOWER)
 -402-XXX DECK TUB (WITH HAND SHOWER)



- Affix the spout (1) to the tub or deck.
- Disassemble the deck valves (2) by unscrewing small cap (3) and screw (4). Pull off lever handle (5) and stem adapter if separate (10) from the valve body. Unscrew the bell (7) and flange (9) from valve body. Pass the valve body (2) through the tub or deck from the bottom and screw on the flange (9) from the top.
- Assemble the handles.
- Connect the flexible hoses (6) to the spout tee (8) and valves (2).
- Unscrew the flange from the hand shower (11) and pass nipple (12) through tub or deck from the bottom and screw the flange (11) on top.
- Connect the hand shower hose (14) to the hand shower (13), pass the hose (14) through the nipple (12), and connect the hose to the diverter spout tee (8).
- Flush out faucet with the aerator removed.

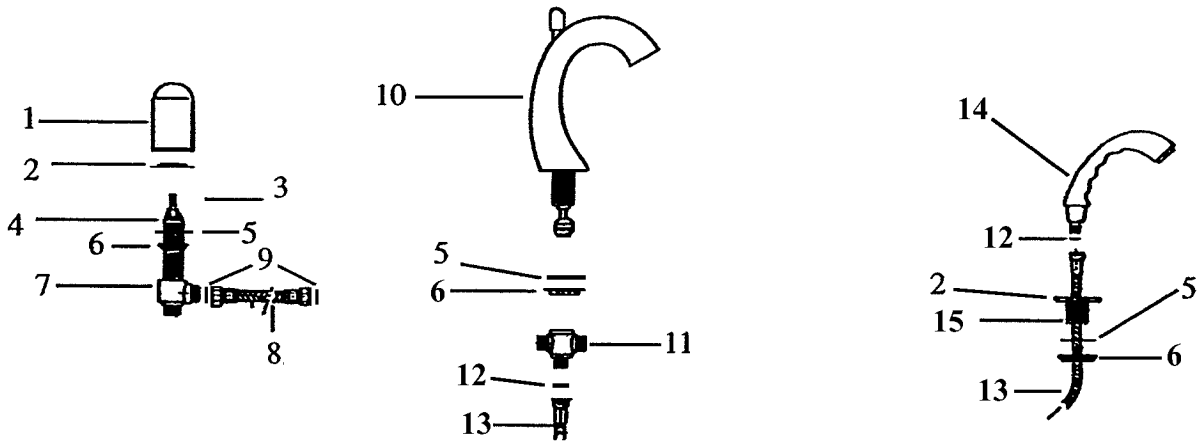
DO NOT USE PLUMBER'S PUTTY, USE CLEAR SILICONE.

XXX INDICATES A FINISH IS NECESSARY
— INDICATES A SERIES NUMBER IS NECESSARY

PARTS

_ -400-XXX DECK TUB (LESS HAND SHOWER)

_ -402-XXX DECK TUB (WITH HAND SHOWER)



- | | |
|--------------------|--|
| 1. _ -80-012-XXX | Handle |
| 2. _ -80-013-XXX | 3/4" flange |
| 3. 80-014-000 | Fixing cap |
| 4. 80-1302-000 | Cold cartridge |
| 80-1302-010 | Hot cartridge |
| 5. 80-016-000 | Rubber washer |
| 6. 80-017-000 | Locknut |
| 7. 80-473-000 | 3/4" deck valve (cold) |
| 80-473-010 | 3/4" deck valve (hot) |
| 8. 80-022-000 | 3/4" flex hose (12" long) |
| 9. 80-023-000 | 3/4" hose washers |
| 10. _ -80-451 -XXX | [402 model] Deck spout w/diverter |
| _ -80-450-XXX | [400 model] Deck spout |
| 11. 80-031-000 | [402 model] Spout tee w/diverter |
| 80-030-000 | [400 model] Spout tee less diverter |
| 12. 80-032-000 | Hose washer |
| 13. 81-033-026 | Black flex hose for hand shower (72" L) |
| 14. _ -80-940-XXX | Deck hand shower |
| 15. 80-035-000 | Nipple for deck mount hand shower |

XXX INDICATES A FINISH IS NECESSARY
— INDICATES A SERIES NUMBER IS NECESSARY