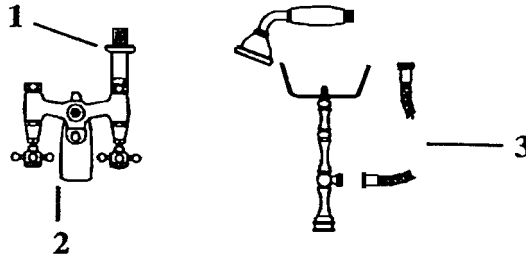


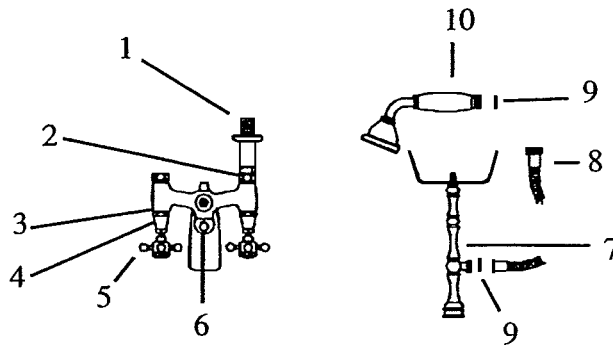
**HBW**  
**INSTALLATION INSTRUCTIONS FOR**  
**19-489TH-XXX**  
**20-306-XXX**



- Secure the 1/2" adapter (1) to the wall.
- Adjust both adapters so that they are even.
- Secure the valve body (2) to the adapters
- Install the hose and hand shower to the cradle. Use the appropriate washers that are supplied (3).
- Water test for leaks and functionality.
- Verify that the desired temperature is coming out of the 19-489TH; use a thermometer to do this. The temperature can be adjusted by turning the cross handle clockwise (colder) or counter clockwise (hotter). If you would like hotter water, push the button in and turn the handle counter clockwise.
- If the desired temperature cannot be achieved, please remove the handle trim to expose the spindle of the cartridge. Turn the water on and turn the spindle clockwise until only cold water comes out of the tub spout or showerhead. Turn the spindle counterclockwise until you get the desired temperature; this can be checked with a thermometer.
- Re-install the handle trim assembly. Take care not to move the spindle.

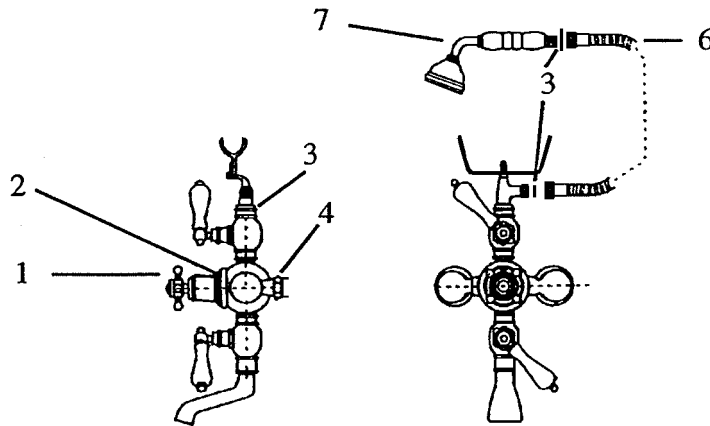
**XXX INDICATES A FINISH IS NECESSARY**  
**— INDICATES A SERIES NUMBER IS NECESSARY**

**PARTS**  
**19-489TH-XXX**  
**20-306-XXX**



- |   |   |   |   |
|---|---|---|---|
| <p><b>1.</b> 20-80-320-3-XXX<br/>20-80-320-XXX</p> <p><b>2.</b> 80-023-000</p> <p><b>3.</b> 80-1302-010<br/>80-1302-000</p> <p><b>4.</b> _-80-038-XXX</p> <p><b>5.</b> _-80-012-XXX</p> | <p><b>[20-306]</b> 3 1/2" wall adapter<br/><b>[19-489TH]</b> 2 1/2" wall adapter</p> <p>Rubber washer</p> <p>Hot cartridge<br/>Cold cartridge</p> <p>Bell</p> <p>Handle</p> | <p><b>6.</b> 80-1500-000<br/>80-1501-000</p> <p><b>7.</b> 20-80-306CV-XXX<br/>20-80-306C-XXX</p> <p><b>8.</b> 82-033-XXX</p> <p><b>9.</b> 80-021-000</p> <p><b>10.</b> 20-940-XXX</p> | <p><b>[20-306]</b> Diverter cartridge<br/><b>[20-306]</b> Diverter plunger</p> <p>Cradle &amp; vol. ctrl <b>[pre-2002]</b><br/>Cradle <b>[as of 2002]</b></p> <p>Exposed metal hose<br/>60", 1/2" X 1/2"</p> <p>1/2" rubber washer</p> <p>Hand shower</p> |
|---|---|---|---|

**PARTS**  
**19-489TH-XXX**



- |   |  |  |  |
|---|--|--|--|
| <p><b>1.</b> _-80-012-XXX</p> <p><b>2.</b> 19-491-CAR</p> <p><b>3.</b> 80-021-000</p> <p><b>4.</b> 80-023-000</p> | <p>Handle</p> <p>Therm. Cartridge</p> <p>1/2" Rubber Washer</p> <p>Rubber Washer</p> | <p><b>5.</b> 20-80-320-XXX</p> <p><b>6.</b> 82-033-XXX</p> <p><b>7.</b> _-80-940-XXX</p> | <p>Wall adapters (not shown)</p> <p>Exposed metal hose<br/>60", 1/2" X 1/2"</p> <p>Hand shower</p> |
|---|--|--|--|

**XXX INDICATES A FINISH IS NECESSARY**  
**— INDICATES A SERIES NUMBER IS NECESSARY**